

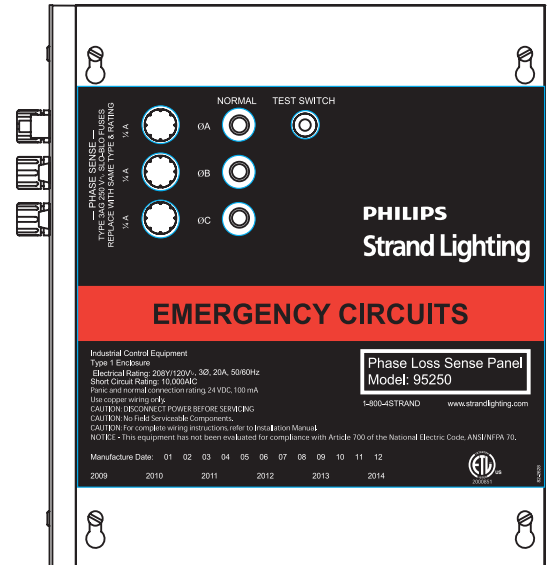
Phase Loss Sense Panel

3-Phase, Feeder Power Sensing

The 95250 Phase Loss Sense Panel monitors 3-phase feed power and provides two independent contact-closure outputs (either Normally Open or Normally Closed) when any phase is lost. The contact-closure outputs may be connected to any Strand Lighting compatible lighting control panel or dimmer rack to signal an "Emergency" power loss condition.

The 95250 may be used with Strand Lighting A21 Dimming Panels, Lighting Control Panels, Contact Relay Panels, or C21 Dimming Cabinets.

The 95250 Phase Loss Sense Panel provides a UL924 compliant solution for emergency lighting systems.

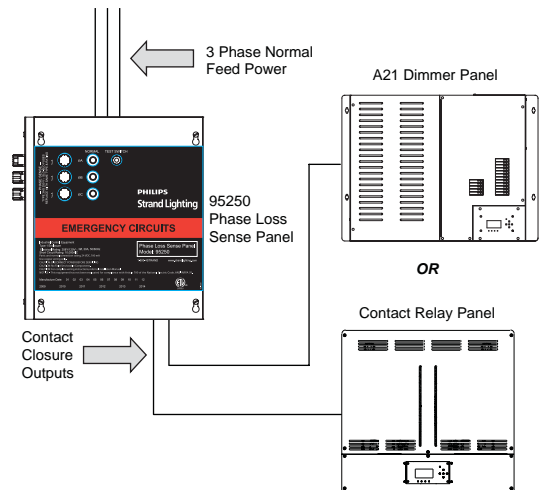


95250 Phase Loss Sense Panel

Features

- ETL Listed to UL924 for emergency circuit phase loss sensing
- Independent neon indicators for each phase present
- Test Switch activates contact-closure outputs
- Provides two independent contact-closure outputs; for either normally open or normally closed applications
- Front accessible individual fuses for all phases
- Complements A21 dimming, Contact relay, or C21 dimming systems
- Durable, steel construction that easily mounts near lighting control panels or cabinets
- Designed and manufactured in the USA

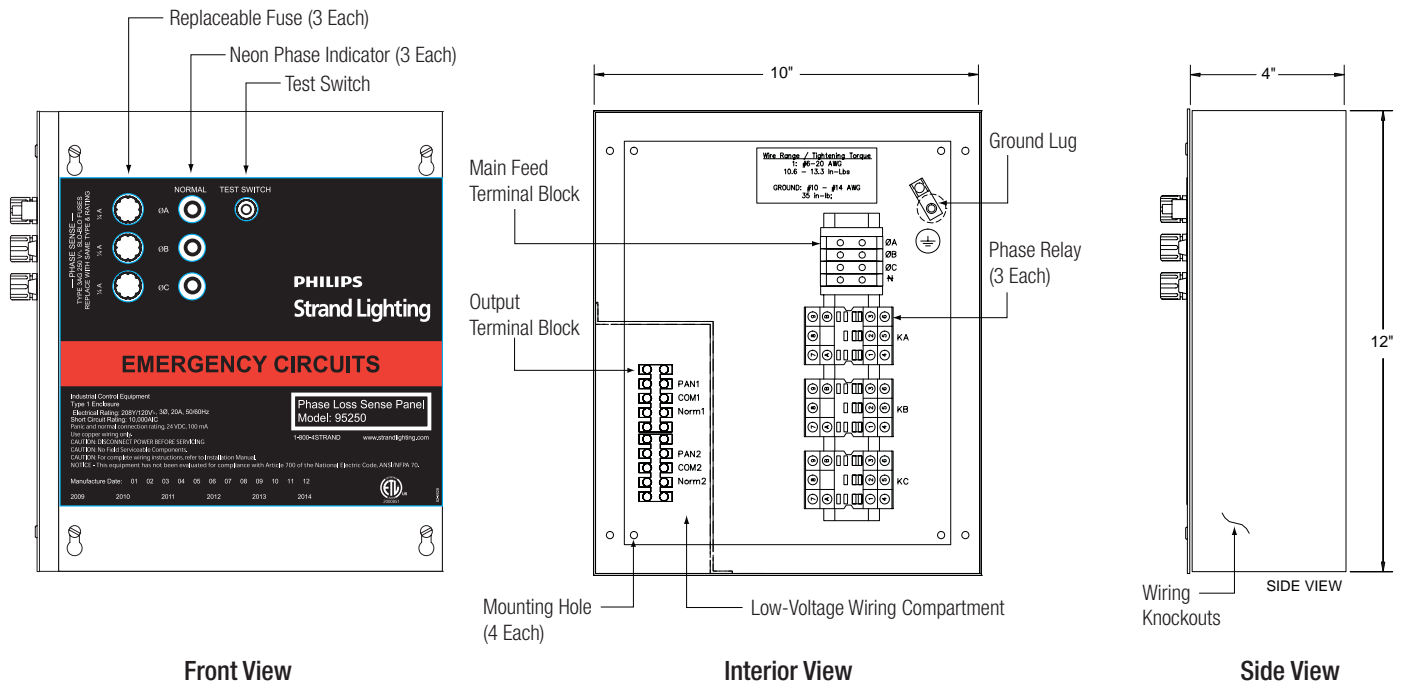
Application Example



PHILIPS
Strand Lighting

SPECIFICATION SUBMITTAL

CONSULTANT: <input type="text"/>	PROJECT NAME: <input type="text"/>	MODEL NUMBER QUANTITY: <input type="text"/> <input type="text"/> <input type="text"/> <input type="text"/> <input type="text"/> <input type="text"/>
DATE: <input type="text"/>	PROJECT NUMBER: <input type="text"/>	APPROVED BY: <input type="text"/>



Specifications

Operational Specifications		Environmental Specifications	
Power Input:	3-Phase, 4-Wire (with ground) 208Y / 120VAC, 50/60 Hz, 20 Amp per phase	Compliance:	ETL listed to UL924
Short Circuit Rating:	10,000 AIC	Operating Temperature:	32° to 104° F (0° to 40° C)
Fuse Protection:	3 Each, 3AG, 250VAC 0.25 Amp Slo-Blo Replaceable Fuses	Operating Humidity:	5 to 95% Non-condensing
Phase Sensing:	A, B, C	Enclosure:	NEMA Type 1
		Mounting:	Surface mount, 4 holes (mounting hardware not provided)
		Size:	10 in. (W) x 12 in. (H) x 4 in. (D) 254 mm (W) x 305 mm (H) x 102 mm (D)
		Weight:	9.7 lbs (4.4 kg)



Ordering Information

Cat No. Description

Phase Loss Sense Panel - Surface Mount	
95250	3-Phase, Phase Loss Sense Panel

Philips Strand Lighting

Dallas
10911 Petal Street
Dallas, TX 75238
Tel: (214) 647-7880
Fax: (214) 647-8031

New York
267 5th Ave, 4th Floor
New York, NY 10016
Tel: (212) 213-8219
Fax: (212) 532-2593

www.strandlighting.com
© Philips Group 2011
All rights reserved.
The Company reserves the right to make any variation in design or construction to the equipment described. E&OE

Auckland
19-21 Kawana Street
Northcote, Auckland 0627
New Zealand
Tel: + 64 9 481 0100
Fax: + 64 9 481 0101

Asia
Room 6-10,
20/F Delta House
3 On Yiu Street
Shatin, N.T. Hong Kong
Tel: + 852-2757-3033
Fax: + 852-2757-1767

Europe
European Service & Distribution Centre
Marssteden 152
Enschede 7547 TD
the Netherlands
Tel: +31-53-4500424
Fax: +31-53-4500425