

Environ3

Architectural Lighting Control System

Environ 3 architectural lighting control system is a revolutionary networked system of line voltage master keypads, wallbox dimmers, and infrared remotes that provide flexible multi-scene dimming capability at a remarkably affordable cost.

Environ 3 has been designed and engineered to be easy to install, easy to program, and easy to operate. By utilizing industry standard three-conductor wiring, the system is easy to install. Simply use the “purple wire” (line voltage communication) to connect the master control stations with the dimmers and Environ 3 is ready to provide an endless array of lighting scenes.



**Environ3 Master Keypad and Three Dimmers
Shown in a Four-Gang Configuration**

Features

- Up to 12 presets & ON and OFF – Environ 3 accepts up to 12 different fade rates, ranging from 1.5 seconds to 1 hour - all fade rates are user-programmable by preset
- Two-way communication - an Environ 3 system knows if it has been activated from either the master keypad or an individual dimmer, so that status is known at all times
- Color options - Environ 3 dimmers and keypads are available in white, ivory, almond, gray, and black
- User-friendly control - Environ 3 master keypads feature illuminated push-buttons, each labeled with its designated preset or custom engraving
- Never-fail memory (no batteries required)
- Environ 3 dimmers control incandescent, magnetic low-voltage, neon, cold cathode, electronic low-voltage and fluorescent loads
- Up to thirty devices (dimmers, master keypads) can be incorporated into an Environ 3 network
- All dimmers can be raised or lowered simultaneously at any master keypad
- Environ 3 A/V master keypads allows the system to be connected to a Vision.net contact closure interface to make it part of a building-wide architectural control system
- UL and cUL listed

PHILIPS
Strand Lighting

SPECIFICATION SUBMITTAL

CONSULTANT: <input type="text"/>	PROJECT NAME: <input type="text"/>	MODEL NUMBER QUANTITY: <input type="text"/> <input type="text"/> <input type="text"/> <input type="text"/> <input type="text"/> <input type="text"/>
DATE: <input type="text"/>	PROJECT NUMBER: <input type="text"/>	APPROVED BY: <input type="text"/>

Environ3 Control System

Each Environ 3 four-preset (four + ON and OFF) master control station has an integral infrared receiver that can be used in conjunction with an optional hand-held infrared transmitter.

Many of the Environ 3 five and eight-preset master control station models are available with A/V inputs which allow any device generating a 50 millisecond dry contact closure to activate any of the preset scenes.

These devices include:

- Third party audio/visual equipment
- External time clocks

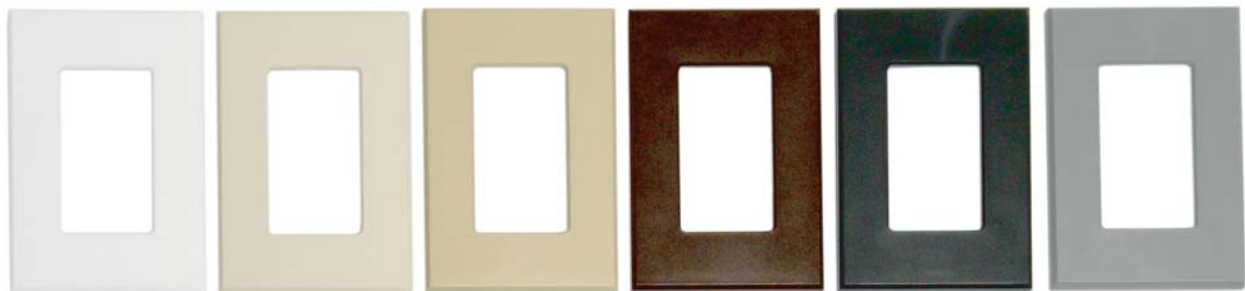
The Environ 3 dimmers and fan controls feature green LED bar graphs to assist in programming level and time settings. A recessed "SET" button allows the user to easily set a level when a preset is active. A single red LED is illuminated when the station is off.

Environ 3 faceplates accommodate from one to seven devices. Precise laser-etched engraving is finished with indelible ink. Robust ABS plastic faceplates feature sleek beveled edges and screwless snap-on installation. Environ3 faceplates lend an integrated look to all designer-style electrical wiring devices such as switches, dimmers, outlets, and telephone or video connectors.



Environ 3 5 Preset & 8 Preset Master Control Station installed in a 2-gang faceplate

Environ3 Faceplate Color Samples



White

Almond

Ivory

Brown

Black

Grey

Environ3 Power Extenders

Environ 3 dimming amplifiers are solid-state units intended to control a separate lighting circuit regardless of phase. It provides a smooth dimming range using Environ 3 controls.

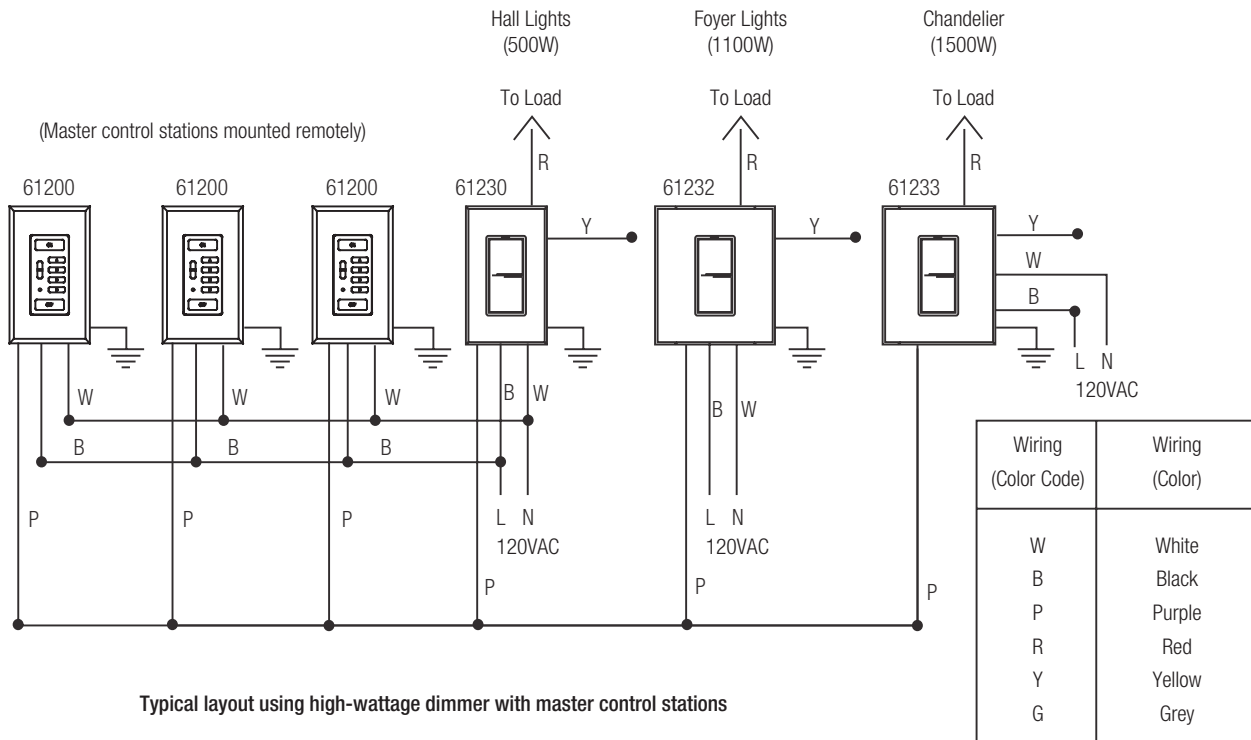


Environ 3 Power Extender
(2 x 2000W incandescent dimming amplifier)



Environ 3 Power Extender
(1 x 10 amp fluorescent HDF dimming amplifier)

Environ3 Sample Riser



Ordering Information

Cat No. Description

Environ3 Master Control Stations

61204 Environ3 pushbutton station, 2 presets, strap, 1-gang, 120VAC
61204H Environ3 pushbutton station, 2 presets, heatsink (S), 1-gang, 120VAC
61200 Environ3 pushbutton station, 4 presets & ON and OFF, raise/lower, IR rec, strap, 1-gang, 120VAC
61202 Environ3 pushbutton station, 4 presets & ON and OFF, raise/lower, IR rec, A/V In, strap, 1-gang, 120VAC
61200H Environ3 pushbutton station, 4 presets & ON and OFF, raise/lower, IR rec, heatsink (S), 1-gang, 120VAC
61202H Environ 3 pushbutton station, 4 presets & ON and OFF, raise/lower, IR rec, A/V In, heatsink (S), 1-gang, 120VAC
61201 Environ 3 pushbutton station, 8 presets, strap, 1-gang, 120VAC

61203 Environ3 pushbutton station, 8 presets, A/V in, strap, 1-gang, 120VAC
61201H Environ3 pushbutton station, 8 presets, heatsink (S), 1-gang, 120VAC
61203H Environ3 pushbutton station, 8 presets, A/V in, heatsink (S), 1-gang, 120VAC

Ordering Information / Notes:

- (1) Color Suffix: -W (White), -I (Ivory), -AL (Almond), -GR (Gray), -BL (Black), or -BR (Brown)
- (2) IR Rec: Integral Infrared Receiver
- (3) A/V In: Audio/Visual contact closure input
- (4) Strap style control stations do not ship with a faceplate.
- (5) Heatsink style control stations ship with a matching 1-gang faceplate.
- (6) S = Small Heatsink / L = Large Heatsink
- (7) Order single-gang or multi-gang faceplates separately.

Environ3 IR Transmitter

61204 Environ3 Handheld Infrared Remote Transmitter

Environ3 Strap-Style Power Devices

61221 Environ3 electronic low-voltage strap dimmer 300VA, 1-gang, 120VAC
61220 Environ3 incandescent/inductive strap dimmer 600VA, 1-gang, 120VAC
61222 Environ3 non-dim strap switch 600VA, 1-gang, 120VAC
61223 Environ3 PowerSpec® HDF fluorescent strap dimmer 600VA, 1-gang, 120VAC
61224 Environ3 Advance Mark 10® strap dimmer 600VA, 1-gang, 120VAC
61225 Environ3 3-speed strap fan control 1.5 amp, 1-gang, 120VAC

61228 Environ3 dimmer/non-dim/fan strap channel remote, 1-gang, 120VAC
61208 Environ3 wall mounted occupancy sensor, 1-gang, 120VAC

Ordering Information / Notes:

- (1) Color Suffix: -W (White), -I (Ivory), -AL (Almond), -GR (Gray), -BL (Black), or -BR (Brown)
- (2) Strap-style devices do not ship with a faceplate.
- (3) Order single-gang or multi-gang faceplates separately.

Environ3 Strap-Style Screwless Faceplates

61271 Environ3 screwless strap faceplate, 1-gang
61272 Environ3 screwless strap faceplate, 2-gang
61273 Environ3 screwless strap faceplate, 3-gang
61274 Environ3 screwless strap faceplate, 4-gang
61275 Environ3 screwless strap faceplate, 5-gang
61276 Environ3 screwless strap faceplate, 6-gang
61277 Environ3 screwless strap faceplate, 7-gang

Ordering Information / Notes:

- (1) Color Suffix: -W (White), -I (Ivory), -AL (Almond), -GR (Gray), -BL (Black), or -BR (Brown)
- (2) Strap-style devices do not ship with a faceplate.
- (3) Order single-gang or multi-gang faceplates separately.

Ordering Information

Cat No. Description

Environ3 Heatsink-Style Power Devices

61234	Environ3 electronic low-voltage heatsink (S) dimmer 500VA, 1-gang, 120VAC	61239	Environ3 Advance Mark 10® heatsink (S) dimmer 600VA, 1-gang, 120VAC
61230	Environ3 incandescent/inductive heatsink (S) dimmer 600VA, 1-gang, 120VAC	61240	Environ3 Advance Mark 10® heatsink (S) dimmer 1000VA, 1-gang, 120VAC
61231	Environ3 incandescent/inductive heatsink (S) dimmer 1000VA, 1-gang, 120VAC	61241	Environ3 Advance Mark 10® heatsink (L) dimmer 1500VA, 2-gang, 120VAC
61232	Environ3 incandescent/inductive heatsink (L) dimmer 1500VA, 2-gang, 120VAC	61242	Environ3 3-speed heatsink (S) fan control 1.5 amp, 1-gang, 120VAC
61233	Environ3 incandescent/inductive heatsink (L) dimmer 2000VA, 2-gang, 120VAC	61245	Environ3 dimmer/non-dim/fan heatsink (S) channel Remote, 1-gang, 120VAC
61235	Environ3 non-dim heatsink (S) switch, 1000VA, 1-gang, 120VAC	Ordering Information / Notes:	
61236	Environ3 non-dim heatsink (L) switch, 2000VA, 2-gang, 120VAC	(1)	Color Suffix: -W (White), -I (Ivory), -AL (Almond), -GR (Gray), -BL (Black), or -BR (Brown)
61237	Environ3 PowerSpec® HDF fluorescent heatsink (S) dimmer 600VA, 1-gang, 120VAC	(2)	Heatsink style devices ship with a matching 1-gang faceplate.
61238	Environ3 PowerSpec® HDF fluorescent heatsink (L) dimmer 1500VA, 2-gang, 120VAC	(3)	S = Small Heatsink / L = Large Heatsink
		(4)	Order multi-gang faceplates separately.

Environ3 Heatsink-Style Screwless Faceplates

61280	Environ3 screwless heatsink faceplate, 2S, 5-7/8 inches, 1+1-gang	61292	Environ3 screwless heatsink faceplate, 5S 14 inches, 7-gang
61281	Environ3 screwless heatsink faceplate, 2SL, 7-5/8 inches, 3-gang	61293	Environ3 screwless heatsink faceplate, 5SSSSL, 15-3/4 inches, 8-gang
61282	Environ3 screwless heatsink faceplate, 2L, 9-15/16 inches, 4-gang	61294	Environ3 screwless heatsink faceplate, 5SSLL, 17-1/2 inches, 9-gang
61283	Environ3 screwless heatsink faceplate, 3S, 8-1/2 inches, 4-gang	61295	Environ3 screwless heatsink faceplate, 5SLLL, 19-1/4 inches, 10-gang
61284	Environ3 screwless heatsink faceplate, 3SSL, 10-1/4 inches, 5-gang	61296	Environ3 screwless heatsink faceplate, 5L, 22-3/4 inches, 12-gang
61285	Environ3 screwless heatsink faceplate, 3SLL, 12 inches, 6-gang	61297	Environ3 screwless heatsink faceplate, 6S, 12-13/16 inches, 7+1-gang
61286	Environ3 screwless heatsink faceplate, 3L, 13-7/8 inches, 6-gang	Ordering Information / Notes:	
61287	Environ 3 screwless heatsink faceplate, 4S, 11-15/16 inches, 4+1-gang	(1)	Color Suffix: -W (White) or -I (Ivory)
61288	Environ 3 screwless heatsink faceplate, 4SSSL, 10-3/8 inches, 6-gang	(2)	Heatsink style devices ship with a matching 1-gang faceplate.
61289	Environ3 screwless heatsink faceplate, 4SSLL, 14-3/4 inches, 7-gang	(3)	S = Small Heatsink / L = Large Heatsink
61290	Environ3 screwless heatsink faceplate, 4SLLL, 13 inches, 8-gang	(4)	Order multi-gang faceplates separately.
61291	Environ3 screwless heatsink faceplate, 4L, 11-1/4 inches, 9-gang		



Ordering Information
Cat No. Description

Environ3 Relay Modules and Power Extenders

Environ3 Power Extenders / Dimming Amplifiers

61259	Environ3 power extender 1 X 1000W electronic low-voltage, wall mount, 120VAC
61260	Environ3 power extender, 2 X 1000W electronic low-voltage, wall mount, 120VAC
61250	Environ3 power extender, 1 X 2400W incandescent, magnetic low-voltage, neon/cold cathode, wall mount, 120VAC
61251	Environ3 power extender, 2 X 2000W incandescent, magnetic low-voltage, neon/cold cathode, wall mount, 120VAC
61252	Environ3 power extender, 1 X 10A HDF fluorescent, 2-gang, 120/277VAC
61253	Environ3 power extender, 1 X 20A HDF fluorescent, 4-gang, 120VAC
61254	Environ3 power extender, 1 X 20A HDF fluorescent, 4-gang, 277VAC
61255	Environ3 power extender 1 X 2400W Mark 10®, wall mount, 120VAC
61256	Environ3 power extender 1 X 2400W Mark 10®, wall mount, 277VAC
61257	Environ 3 power extender 2 X 2000W Mark 10®, wall mount, 277VAC

Environ3 Relay Modules

61261	Environ3 relay module, 1 X 6 Amp, 2-gang, 120VAC
61262	Environ3 relay module, 2 X 6 Amp, 2-gang, 120VAC
61263	Environ3 relay module, 2 X 6 Amp, 2-gang with transformer, 277VAC

Ordering Information / Notes:

- (1) Relay modules require a non-dim strap or heatsink switch device for control.
- (2) Power extenders require an appropriate strap or heatsink dimmer device for control.

Environ3 Color Sample Kit

61279	Environ3 color sample kit
--------------	---------------------------

Note: Color sample kit contains one each of the following faceplate color samples: 61271–White, 61271–Ivory, 61271–Almond, 61271–Grey, 61271–Black and 61271–Brown)

Philips Strand Lighting

Dallas
 10911 Petal Street
 Dallas, TX 75238
 Tel: (214) 647-7880
 Fax: (214) 647-8031

New York
 267 5th Ave, 4th Floor
 New York, NY 10016
 Tel: (212) 213-8219
 Fax: (212) 532-2593

www.strandlighting.com
 © Philips Group 2011
 All rights reserved.
 The Company reserves the right to make any variation in design or construction to the equipment described. E&OE

Auckland
 19-21 Kawana Street
 Northcote, Auckland 0627
 New Zealand
 Tel: + 64 9 481 0100
 Fax: + 64 9 481 0101

Asia
 Room 6-10,
 20/F Delta House
 3 On Yiu Street
 Shatin, N.T. Hong Kong
 Tel: + 852-2757-3033
 Fax: + 852-2757-1767

Europe
 European Service & Distribution Centre
 Marssteden 152
 Enschede 7547 TD
 the Netherlands
 Tel: +31-53-4500424
 Fax: +31-53-4500425