

# Lightpack LED

## Portable LED Luminaire Controller

LightPack LED controller delivers power and control to any Philips Selecon PL Wash luminaire or Philips Color Kinetics Color Blast wash lights. Smart addressing technology simplifies set up and allows users to quickly address any luminaire regardless of type. Users set an address, select an operating mode and press a button to set up any connected luminaire. Each output is configured to match the luminaire regardless of the number of colors the unit supports and delivers exactly the right number of control channels needed. An intensity channel set up option is also available to make your luminaires even easier to use and program.

Ideal for a wide range of applications from special events to theatres and television studios the LightPack LED controller delivers power and control anywhere you need it.



**LightPack Portable LED Luminaire Controller**

### Features

- Simple, intuitive user interface
- DMX input or local on – off – color select button
- Status indicators
- Two addressable outputs with tool free set up
- Auto luminaire ID
- DMX512 In / Out (Thru)
- Universal operating voltage, 100 to 240 VAC
- 8 or 16 bit operating modes allows users to choose fade resolution by luminaire
- Intensity channel selection can add an intensity channel to any luminaire
- Support for tunable white, RGB and RGBAW luminaires
- Includes wall mount and pipe mount brackets (C clamp sold separately)
- Rugged enclosure with integrated heat sinks for silent fan free operation
- Integrated safety cable
- ETL, cETL listed and CE marked

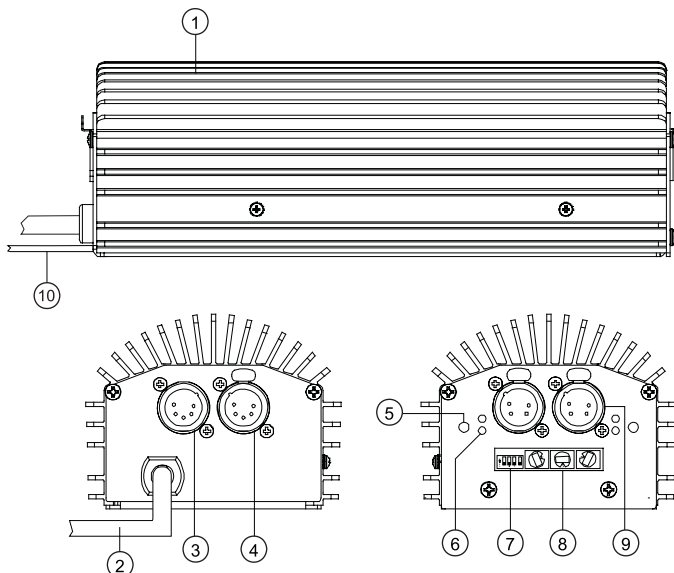


SPECIFICATION SUBMITTAL

CONSULTANT: <input type="text"/>	PROJECT NAME: <input type="text"/>	MODEL NUMBER   QUANTITY: <input type="text"/> <input type="text"/> <input type="text"/> <input type="text"/> <input type="text"/> <input type="text"/>
DATE: <input type="text"/>	PROJECT NUMBER: <input type="text"/>	APPROVED BY: <input type="text"/>

**LightPack LED Controller Features:**

- ① Heatsink
- ② AC Input Cable
- ③ DMX 512 In
- ④ DMX512 Thru/Out
- ⑤ Focus / Bump Button (one for each luminaire port)
- ⑥ Red and Green Status Indicators (one set for each luminaire port)
- ⑦ Mode Settings (one 4-position DIP switch)
- ⑧ DMX512 Address Setting (three rotary DIP switches)
- ⑨ LED Luminaire Control Port (two each, power and data supplied)
- ⑩ Integrated Safety Cable



**Technical Specifications**

Electrical Data	Mechanical Data
<p><b>Supply Voltage:</b> 120 to 240VAC (auto-ranging)</p> <p><b>Frequency:</b> 50 / 60 Hz</p> <p><b>Output:</b> 24VDC, 55 Watts Per Connector</p> <p><b>Luminaire Types:</b> Philips Selecon - PL Wash Philips Color Kinetics - Color Blast</p>	<p><b>Weight:</b> 4.2 lbs (1.9 kg)</p> <p><b>Dimensions:</b> 3.25 (H) x 4.17 (W) x 9.62 (D) in 82.6 (H) x 105.9 (W) x 244.4 (D) mm</p> <p><b>DMX512 Connections:</b> DMX512 In / Out (Thru)</p> <p><b>Output Connections:</b> 2 (power and data on each)</p>
Environmental Data	
<p><b>Temperature:</b> 32 to 122°F (0 to 50°C)</p> <p><b>Humidity Range:</b> 5 to 95% Non-condensing</p> <p><b>Compliance:</b> ETL, cETL listed and CE marked</p>	

**Ordering Information**

**Cat No.      Description**

LightPack LED Portable Controller - 120V	LightPack LED Controller Accessories
<p><b>71361</b>      LightPack LED Controller, GP connector, 120V</p> <p><b>71362</b>      LightPack LED Controller, GTL connector, 120V</p> <p><b>71363</b>      LightPack LED Controller, GR connector, 120V</p>	<p><b>SC</b>              C-Clamp</p> <p><b>71351</b>          Cheeseboro Clamp</p> <p><b>71346</b>          DMX512 Terminator</p>
LightPack LED Portable Controller - 230V	
<p><b>71364</b>      LightPack LED Controller, Bare leads, 230V</p>	<p>Notes: Connector Types (GP - Grounded Stage Pin / GTL - Twistlock / GR - Edison)</p>

**Philips Strand Lighting**

**Dallas**  
10911 Petal Street  
Dallas, TX 75238  
Tel: (214) 647-7880  
Fax: (214) 647-8031

**New York**  
267 5th Ave, 4th Floor  
New York, NY 10016  
Tel: (212) 213-8219  
Fax: (212) 532-2593

[www.strandlighting.com](http://www.strandlighting.com)  
© Philips Group 2011  
All rights reserved.  
The Company reserves the right to make any variation in design or construction to the equipment described. E&OE

**Auckland**  
19-21 Kawana Street  
Northcote, Auckland 0627  
New Zealand  
Tel: + 64 9 481 0100  
Fax: + 64 9 481 0101

**Asia**  
Room 6-10,  
20/F Delta House  
3 On Yiu Street  
Shatin, N.T. Hong Kong  
Tel: + 852-2757-3033  
Fax: + 852-2757-1767

**Europe**  
European Service & Distribution Centre  
Marssteden 152  
Enschede 7547 TD  
the Netherlands  
Tel: +31-53-4500424  
Fax: +31-53-4500425

