

N21 ShowNet Nodes DMX512 Networking Nodes

Compact and flexible, the N21 ShowNet Node provides cost-effective network connectivity for facilities of all sizes. Each node features two or four DMX512 connectors that may be dynamically configured for input or output operation.

Based on a 32-bit ARM processor, all N21 nodes utilize the Linux operating systems for stable 10/100BT operation.

Nodes may be configured with any web browser. Node status, Node ID, and DMX512 port identification are available on the integral LCD display. The display features adjustable back lighting.

All Strand Lighting N21 ShowNet nodes feature advanced DMX512 patching, permitting any range of 512 numbers to be selected for each DMX512 port. Priority patching with up to three levels of priority assignments is available.

Features

- Compact and cost-effective ShowNet DMX512 nodes
- Fast 40 Hz DMX512 update rate
- DMX512 ports may be custom configured with any 512 DMX512 addresses for complete system flexibility
- One port may be configured to support Vision.net control input to ShowNet networking
- 10/100BT Ethernet operation
- Integral LCD display provides node and port labeling
- Portable node fits standard two-gang back boxes
- Local screen selector provides node status and configuration information
- 1U rack mount nodes available with 4 DMX512 ports
- N21 ShowNet nodes are available in portable, wall mount and 1U rack mount variants
- Surface mount and pipe mount versions available
- Adjustable backlight levels for dark applications
- Fully compliant with IEEE802.3af power over Ethernet
- Dimmer status reporting link available on any port for legacy dimming systems
- N21 ShowNet Nodes may be configured with a standard web browser
- Each node may be configured using any Pocket Palette wireless remote
- 32-bit processor standard with Linux O/S
- Compatible with all N21 ShowNet nodes and control systems



N21 ShowNet Portable Node



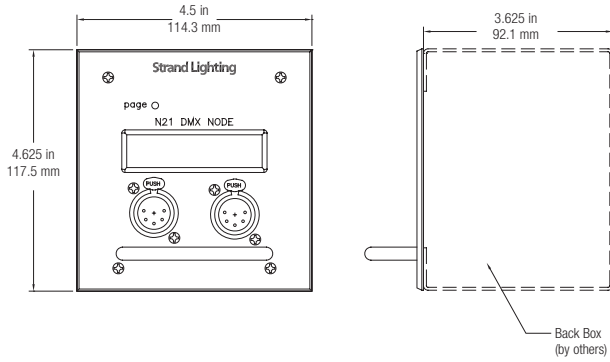
N21 ShowNet Rack Mount Node

PHILIPS
Strand Lighting

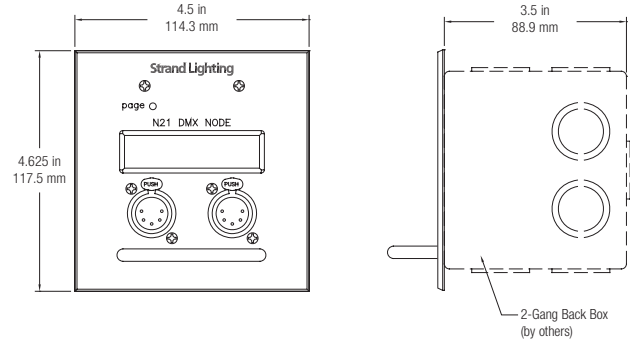
SPECIFICATION SUBMITTAL

CONSULTANT: <input type="text"/>	PROJECT NAME: <input type="text"/>	MODEL NUMBER QUANTITY: <input type="text"/> <input type="text"/> <input type="text"/> <input type="text"/> <input type="text"/> <input type="text"/>
DATE: <input type="text"/>	PROJECT NUMBER: <input type="text"/>	APPROVED BY: <input type="text"/>

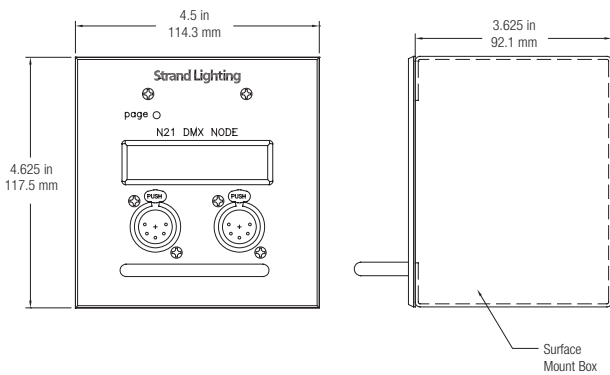
65151 N21 ShowNet Node, 2-Port, POE, 2-gang



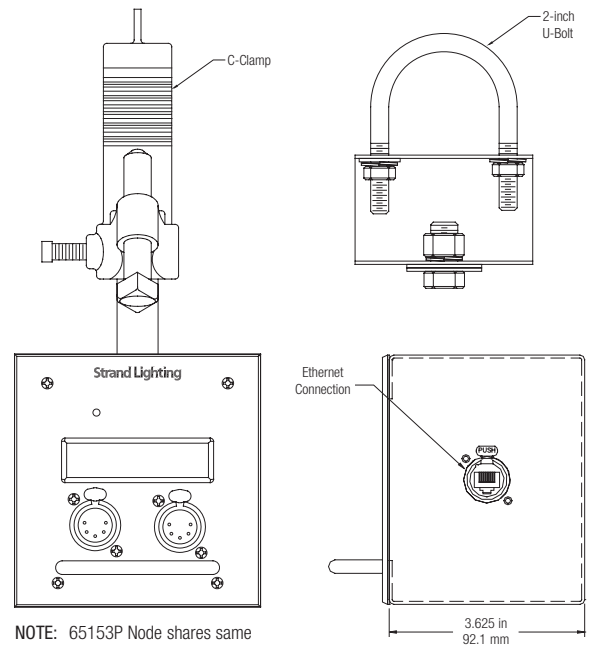
65152 N21 ShowNet Node, 2-Port, POE, SN110 Retrofit



65153 N21 ShowNet Node, 2-Port, POE, with Surface Mount Box

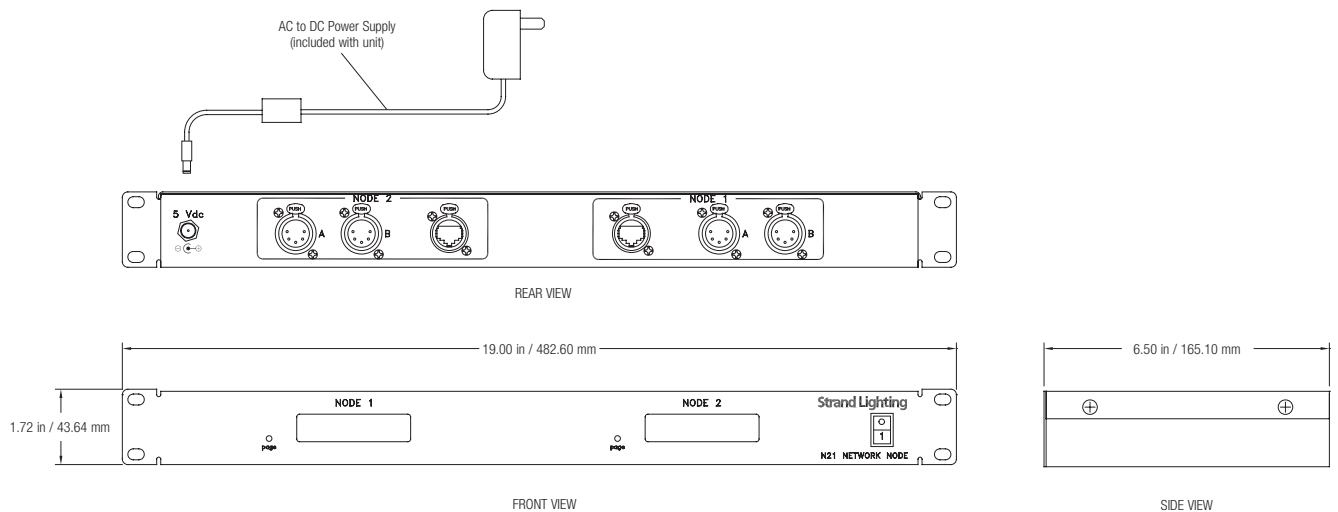


65153P N21 ShowNet Node, 2-Port, POE, with portable mount back box, C-Clamp and U-Bolt Hardware

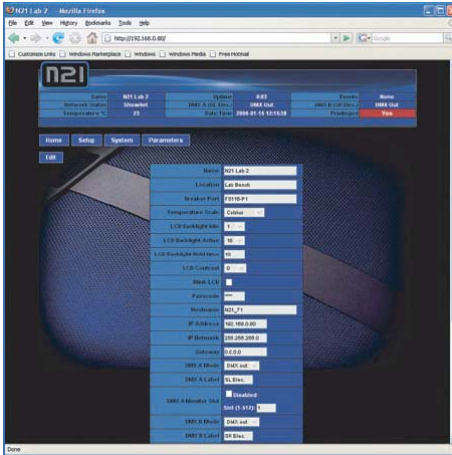


NOTE: 65153P Node shares same dimensions as 65153 Node.

65154 N21 ShowNet Node, 4-Port, 1U Rack Mount Enclosure with AC Adapter



NOTE: Drawings are not to scale.



Simplified programming and configuration.

Using a simple point-and-click web browser interface, routing DMX512 is very easy and the most powerful part of a Strand Lighting ShowNet network. Over 32,000 DMX512 addresses are supported on all Strand networks.

Technical Specifications

Connectivity

DMX512: 2 Each, 5-pin female XLR
 Ethernet: 1 Each, RJ45

Mechanical Data

Construction:

Wall Mount: Steel faceplate, unit is designed to fit a standard deep masonry box
Rack Mount: Steel enclosure

Weight:

Wall Mount: 1.9 lbs / 0.86 kg
Rack Mount: 4.9 lbs / 2.2 kg

Dimensions:

Wall Mount: Refer to Drawings on Page Two
Rack Mount: Refer to Drawing on Page Two

Environmental Data

Operating Temperature: 32 to 104°F / 0 to 40°C
Storage Temperature: -40 to 158°F / -40 to 70°C
Humidity: 5% - 95% non-condensing

Electrical Data

Input Power:

Wall Mount: IEEE 802.3AF Power over Ethernet on all 2-port models.
Rack Mount: AC to DC Power Supply, Universal Voltage (included)

Standards Compliance

EMC Emissions: EN50081-1, EN55014
EMC Immunity: EN50082-1, IEC1000-2-2
Safety: EN60950
Ethernet: IEEE
Markings: CE Marked

Ordering Information

Cat No. Description

N21 ShowNet DMX512 Networking Nodes

65151	N21 ShowNet Node, 2-Port, POE, 2-gang	65153-P	N21 ShowNet Node, 2-Port, POE, with portable mount back box, C-clamp/U-bolt hardware
65152	N21 ShowNet Node, POE, SN110 retrofit		
65153	N21 ShowNet Node, 2-Port Node, POE, with surface mount back box	65154	N21 ShowNet Node, 4-Port, 1U rack mount enclosure, universal AC adapter

This page intentionally left blank

Philips Strand Lighting

Dallas
10911 Petal Street
Dallas, TX 75238
Tel: (214) 647-7880
Fax: (214) 647-8031

New York
267 5th Ave, 4th Floor
New York, NY 10016
Tel: (212) 213-8219
Fax: (212) 532-2593

www.strandlighting.com

© Philips Group 2011
All rights reserved.
The Company reserves the right
to make any variation in design or
construction to the equipment
described. E&OE

Auckland
19-21 Kawana Street
Northcote, Auckland 0627
New Zealand
Tel: + 64 9 481 0100
Fax: + 64 9 481 0101

Asia
Room 6-10,
20/F Delta House
3 On Yiu Street
Shatin, N.T. Hong Kong
Tel: + 852-2757-3033
Fax: + 852-2757-1767

Europe
European Service & Distribution Centre
Marssteden 152
Enschede 7547 TD
the Netherlands
Tel: +31-53-4500424
Fax: +31-53-4500425

021611NA_EUA

PHILIPS
Strand Lighting