



PL3 LED Luminaire

A revolutionary breakthrough in stage and studio lighting the PL3 LED Luminaire delivers full control of the beam color composition irrespective of intensity.

Drawing on technology and specific insight, nurtured and developed, within the Philips Entertainment group the PL3 meets the everyday challenges of illuminating the world’s stages and studios. A lighting instrument that extends the creative possibilities with light while significantly reducing the impact of our activities on the environment.



PL3 LED Luminaire

Features

- High output RGBW LED luminaire delivering the output of a 1000/1200-watt Fresnel
- Infinite color choice from the three RGBW engines, supporting color temperatures from 2300K to 9970K
- Variable beam angle from a 15 degree spot to a 55 degree flood angle - flood angle can be shaped using the four or eight door barndoor accessory
- Homogenized fully mixed "white" light, no multiple color shadows
- 25,000 hour life before degradation in light output and quality is expected
- Quick selection of Warm White, Cool White, and Daylight color presets simplifies matching existing light sources
- User defined on board presets states available to record your color composition
- Constant color balance down to very low light levels irrespective of intensity setting
- DMX512 input with 8 or 16-bit resolution
- Wireless DMX512 options - compatible with Wireless Solution W-DMX, Lumen Radio, or City Theatrical DMX512 transmitters
- Motorized Zoom to adjust beam angle - at menu system or via DMX512 control
- On-board LCD menu for ease of luminaire set up and addressing
- No ultra-violet (wavelengths of less than 400nm) - for UVA, B or C or the Infrared spectrum (wavelengths of more than 775nm)
- Luminaire colors: black or white
- Electronic power supply; ETL / cETL approved and CE marked



SPECIFICATION SUBMITTAL

| | | |
|-------------------------------------|---|---|
| CONSULTANT: <input type="text"/> | PROJECT NAME: <input type="text"/> | MODEL NUMBER QUANTITY: <input type="text"/> <input type="text"/> <input type="text"/> <input type="text"/> <input type="text"/> <input type="text"/> |
| DATE: <input type="text"/> | PROJECT NUMBER: <input type="text"/> | APPROVED BY: <input type="text"/> |



PL3 LED Luminaire

Advanced Control

The PL3 LED luminaire has an on-board LCD menu system for luminaire setup, control, and addressing. The menu system is extremely user-friendly and offers all configuration options with a few button presses.

Wireless DMX512 Control

Working on location? Having trouble getting data to your light on set? All PL3 luminaires support wireless DMX512 control for instant connections without running control wiring. Each wireless receiver also has a DMX512 out port to control adjacent luminaires. Receivers are available for Wireless Solution W-DMX, Lumen Radio or City Theatrical transmitters.

Console Control

All PL3 luminaires support wired and wireless DMX512 control with a choice of 8 or 16 bit control resolution. With the increased development of LED luminaires like PL1 and PL3 with 4 or more colors additional control is needed for intuitive operation. All Strand Lighting Palette family controls support extended color control and color temperature control to simplify programming and luminaire color matching.



PL3 Luminaire Advanced Control



- ① LCD Menu Display
- ② Local controls offer the ability to access preset color temperatures; locally stored custom presets adjust intensity; colors and motorized focus.



Strand Lighting Light Palette VL



PL3 LED Luminaire

Lighting for Designers with...

- An adjustable beam 15 to 55 degrees
- Barndoors or snoot provide beam control
- Absolute color control
- Precise intensity control
- Homogeneous beam free of multi colored shadows

The PL3 LED luminaire extends the creative opportunities of lighting design to tell a story, command attention, and direct emotion.

Lighting for Every Need

The PL3 luminaire delivers color balanced whites for stage, television, and film production along with beautiful colors to meet the needs of lighting directors and designers everywhere. The long life of the LED engines, reduces maintenance cost dramatically and with the energy savings PL3 delivers; users will quickly see the total cost of ownership benefits.



PL3 LED Luminaire shown with Barndoor Option

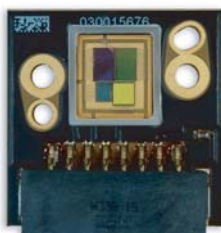


PL3 LED luminaire at Daylight and Warm White settings



PL3 LED Engine

PL3's powerful LED engines offer exceptional performance and life. Under normal operating conditions our LED engine has a life expectancy in excess of 25,000 hours, however under worst case operating conditions with the luminaire set to continuous full output it is possible that a small percentage of LEDs may require replacement sooner. The Philips Selecon three-year limited warranty includes our guarantee against premature failure of the LED engine.





Photometrics (preliminary)

PL3 - Wide (56° Field Angle)

| | Meters | | | | Feet | | | |
|----------------|--------|-----|-----|-----|------|------|------|------|
| Throw Distance | 2.0 | 4.0 | 6.0 | 8.0 | 6.0 | 12.0 | 18.0 | 24.0 |
| Beam Diameter | 2.1 | 4.2 | 6.4 | 8.5 | 6.4 | 12.7 | 19.1 | 25.5 |

| | Wattage* | Central Illumination (Lux) | | | | Wattage | Central Illumination (Footcandles) | | | |
|------------|----------|----------------------------|-----|-----|-----|---------|------------------------------------|----|----|----|
| Warm White | 148 | 2327 | 582 | 259 | 145 | 148 | 223 | 56 | 25 | 14 |
| Cool White | 205 | 2962 | 741 | 329 | 185 | 205 | 284 | 71 | 32 | 18 |
| Daylight | 246 | 3396 | 849 | 377 | 212 | 246 | 326 | 81 | 36 | 20 |
| Blue | 78 | 179 | 45 | 20 | 11 | 78 | 17 | 4 | 2 | 1 |
| Red | 70 | 683 | 171 | 76 | 43 | 70 | 65 | 16 | 7 | 4 |
| Green | 136 | 1951 | 488 | 217 | 122 | 136 | 187 | 47 | 21 | 12 |

PL3 - Narrow (15° Field Angle)

| | Meters | | | | Feet | | | |
|----------------|--------|-----|------|------|------|------|------|------|
| Throw Distance | 4.0 | 8.0 | 12.0 | 16.0 | 12.0 | 24.0 | 36.0 | 50.0 |
| Beam Diameter | 1.0 | 2.1 | 3.1 | 4.1 | 3.1 | 6.2 | 9.3 | 13.0 |

| | Wattage* | Central Illumination (Lux) | | | | Wattage | Central Illumination (Footcandles) | | | |
|------------|----------|----------------------------|------|------|-----|---------|------------------------------------|-----|-----|----|
| Warm White | 148 | 8140 | 2035 | 904 | 509 | 148 | 781 | 195 | 87 | 45 |
| Cool White | 205 | 10501 | 2625 | 1167 | 656 | 205 | 1007 | 252 | 112 | 58 |
| Daylight | 246 | 12068 | 3017 | 1341 | 754 | 246 | 1157 | 289 | 129 | 67 |
| Blue | 78 | 659 | 165 | 73 | 41 | 78 | 63 | 16 | 7 | 4 |
| Red | 70 | 2326 | 582 | 258 | 145 | 70 | 223 | 56 | 25 | 13 |
| Green | 136 | 6923 | 1731 | 769 | 433 | 136 | 664 | 166 | 74 | 38 |

Note: *Wattage refers to total power consumed at the recorded preset LED levels.

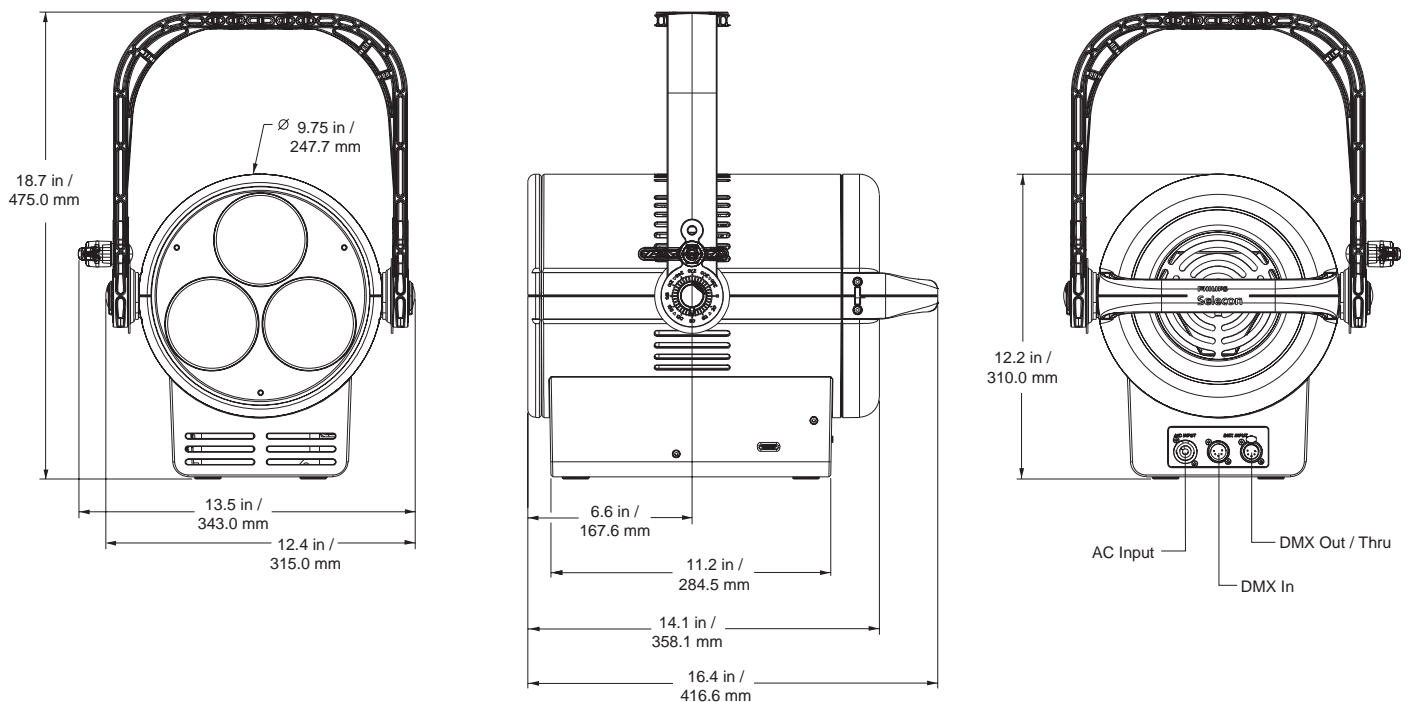


Technical Specifications

| Electrical Specifications | | Mechanical Specifications | |
|---------------------------|---|---------------------------|---|
| Source: | 3 Each, True RGBW 120W LED chips | Construction: | Machined aluminum, sheet metal, and molded engineering grade plastic components |
| Output: | > 6,000 lumens (white light) | | |
| Operating Voltages: | 120 to 240 Volts AC (auto-ranging) | | |
| Frequency: | 50/60 Hz | | |
| Current Draw | 4.60 Amps (120V) / 2.35 Amps (240V) - Maximum load with all LEDs at full RGBW | Colors: | Black or White |
| Ambient Temperature: | 0° to 50°C (32° to 122°F) | Weight: | 22.1 lbs / 10.1 kg (luminaire only) |
| Control: | On-board menu / DMX512 / Infrared Remote Control | Lenses: | Precision coated aspheric lenses |
| DMX512 Channels: | 18 (16-Bit Mode) 12 (8-Bit Mode) 3 (3-Channel Mode) | | |
| Standards Compliance: | ETL/cETL Listed and CE Marked | | |



Dimensions





PL3 LED Luminaire shown with Accessory Holder Option



Ordering Information

Cat No. Description

PL3 LED Luminaire

PL3 PL3 LED Luminaire, Black
PL3W PL3 LED Luminaire, White

Accessories - Barndoors & Holders

PL3ACH PL3 LED Luminaire Accessory Holder
20BDSF2020 Barndoor, Black
20BDSF20208 Barndoor, 8 Way, Black
20CFSF2020 Spare Color Frame

Accessories - Clamps ⁽¹⁾

SC Selecon Molded Yoke Rated C-Clamp
MC Mega Claw, Black Anodized

Accessories - Connectors ⁽²⁾

GR 15A NEMA 5-15P Male Edison
GP 20A, Male Stage Pin
GTL 20A, NEMA L5-20P Male Twist-Lock

Notes:

- (1) Do Not install the PL3 LED Luminaire using C-Clamp (82019 or USCLAMP). This Luminaire requires the longer bolt utilized in clamps Molded Yoke Rated C-Clamp (SC) or Mega Claw (MC).
- (2) All PL3 luminaires ship with a "bare-end" 39 inch/1 meter power input cable. Add -GR, -GP, or -GTL to the part number to have a connector installed. All other accessories sold separately.

Accessories - AC Power Input Cables

Spare Power Input Cables

PL3BE PL3 Luminaire AC Power Input Cable (39 inches / 1 meter), Powercon with no connector (bare end - user to supply connector)
PC1GP PL3 Luminaire AC Power Input Cable (39 inches / 1 meter), Powercon with Stagepin Connector
PC1GTL PL3 Luminaire AC Power Input Cable (39 inches / 1 meter), Powercon with Twistlock Connector
PC1GR PL3 Luminaire AC Power Input Cable (39 inches / 1 meter), Powercon with Edison Connector

Accessories - Wireless DMX Receivers

PL1WDMX03 W-DMX Wireless DMX512 Receiver, Black
PL1LDMX03 Lumen Radio Wireless DMX512 Receiver, Black
PL1SDMX03 City Theatrical Wireless DMX512 Receiver, Black

Accessories - Wireless DMX Transmitters

PL1WDMXTR W-DMX Wireless DMX512 Transmitter
PL1LDMXTR Lumen Radio Wireless DMX512 Transmitter
PL1SDMXTR City Theatrical Wireless DMX512 Transmitter

Selecon Lighting

Dallas

10911 Petal Street
 Dallas, Texas 75238
 Tel: +1 (214) 647-7880
 Fax: +1 (214) 647-8031

New York

267 5th Ave, 4th Floor
 New York, NY 10016
 Tel: +1 (212) 213-8219
 Fax: +1 (212) 532-2593

© Philips Group 2012
 All rights reserved.
 The Company reserves the right to make any variation in design or construction to the equipment described. E&OE

For further information on the PL3 including the Operation manual please visit the Philips Selecon web site at: www.seleconlight.com/pl3

Auckland

19-21 Kawana Street
 Northcote, Auckland 0627
 New Zealand
 Tel: +64 9 481 0100
 Fax: +64 9 481 0101

Asia

Unit C, 14/F,
 Roxy Industrial Centre
 No. 41-49 Kwai Cheong Road
 Kwai Chung, N.T. Hong Kong
 Tel: +852 2796 9786
 Fax: +852 2798 6545

Europe

European Service & Distribution Centre
 Rondweg zuid 85
 Winterswijk 7102 JD
 the Netherlands
 Tel: +31 (0) 543-542516

