



PLCyc LED Luminaire

PLCyc LED Luminaire

A breakthrough in cyclorama lighting the PLCyc LED Luminaire delivers smooth even cyclorama lighting in a compact light weight design. Using just 150 watts of power to illuminate drops up to 5 meters high each unit can replace the equivalent of a traditional 4 color 500 watt luminaire. A typical cyc can be powered from a single circuit using our convenient Powercon cabling system for power along with standard DMX cables.

The PLCyc LED Luminaire may be used for top or bottom lighting with units spaced on 1.2 meter – 4 foot centers for optimum performance and value.

Features

- Delivers the performance of a 500 watt cyclight with a maximum power consumption of 150 watts with a smooth even field for cycloramas up to 5m – 16ft high
- Simple spacing system 1.2m - 4ft from cyc surface
1.2m – 4ft on center spacing
- Designed for top or floor mounting with kick stand yoke
- Infinite color choice from the RGBW engine and supporting color temperatures from 3000K to 5600K in white
- Homogenized fully mixed color output light, no multiple color shadows
- 50,000 hour life before degradation in light output and quality is expected
- Quick selection of Warm White, Cool White, and Daylight
- Color presets simplifies matching existing light sources
- User defined on board presets states available to record your color composition
- Constant color balance down to very low light levels irrespective of intensity setting
- DMX512 Input/Output with 3, 8, or 16-bit resolution
- Wireless DMX512 option - compatible with Wireless Solution W-DMX, Lumen Radio, or City Theatrical Show DMX512 transmitters
- On-board LCD menu for ease of luminaire set up and addressing
- No ultra-violet (wavelengths of less than 400nm) – for UVA, B or C or the Infrared spectrum (wavelengths of more than 775nm)
- Luminaire color: black
- Electronic universal power supply 100-240VAC
- PowerCon In and Through connectors
- Electronic power supply; ETL / cETL approved and CE marked



SPECIFICATION SUBMITTAL

CONSULTANT: <input type="text"/>	PROJECT NAME: <input type="text"/>	MODEL NUMBER QUANTITY: <input type="text"/> <input type="text"/> <input type="text"/> <input type="text"/> <input type="text"/> <input type="text"/>
DATE: <input type="text"/>	PROJECT NUMBER: <input type="text"/>	APPROVED BY: <input type="text"/>



PLCyc LED Luminaire

Advanced Control

The PLCyc LED luminaire has an on-board LCD menu system for luminaire setup, control, and addressing. The menu system is extremely user-friendly and offers all configuration options with a few button presses.

Wireless DMX512 Control

Having trouble getting data to your light on set? All PLCyc luminaires support wireless DMX512 control for instant connections without running control wiring. Each wireless receiver also has a DMX512 out port to control adjacent luminaires. Receivers are available for Wireless Solution W-DMX, Lumen Radio, or City Theatrical DMX512 transmitters.

Console Control

All PLCyc luminaires support wired and wireless DMX512 control with a choice of 3, 8 or 16 bit control resolution. With the increased development of LED luminaires like PL1 and PLCyc with 4 or more colors additional control is needed for intuitive operation. All Strand Lighting Palette family controls now support extended color control and color temperature control to simplify programming and luminaire color matching.

PLCyc LED Engine

The PLCyc luminaire’s powerful LED engines offer exceptional performance and life. Under normal operating conditions our LED engine has a life expectancy in excess of 50,000 hours, however under worst case operating conditions with the luminaire set to continuous full output it is possible that a small percentage of LEDs may require replacement sooner. The Philips Selecon three-year limited warranty includes our guarantee against premature failure of the LED engine.

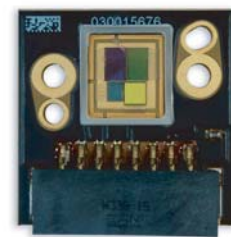


PLCyc Luminaire Advanced Control

- ① LCD Menu Display
- ② Local controls offer the ability to access preset color temperatures; locally stored custom presets adjust intensity; colors and motorized focus.



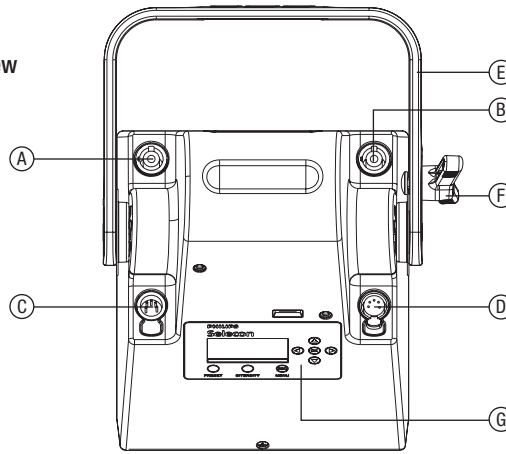
Strand Lighting Palette VL



PLCyc Luminaire LED Engine



Rear View



- (A) PowerCon (AC) Input
- (B) PowerCon (AC) Output
- (C) DMX512 Input
- (D) DMX512 Output / Thru
- (E) Yoke Assembly
- (F) Yoke Adjustment / Locking Knob
- (G) LCD Display & Menu System

Technical Specifications

Electrical Specifications

Source: 1 Each, True RGBW 120W LED chip

Operating Voltages: 120 to 240 Volts AC (auto-ranging)

Frequency: 50/60 Hz

Current Draw: 1.25 Amps (120V) / 0.63 Amps (240V) - Maximum load with all LEDs at full RGBW

Ambient Temperature: 0° to 40°C (32° to 104°F)

Control: On-Board Menu / DMX512

DMX512 Channels: 15 Channels (16-Bit Mode)
9 Channels (8-Bit Mode)
3 Channels (3-Bit Mode)

Standards Compliance: ETL/cETL Listed and CE Marked

Mechanical Specifications

Construction: Machined aluminum, sheet metal, and molded engineering grade plastic components

Color: Black

Weight: 7.3 lbs / 3.3 kg (luminaire only)

Optical Specifications

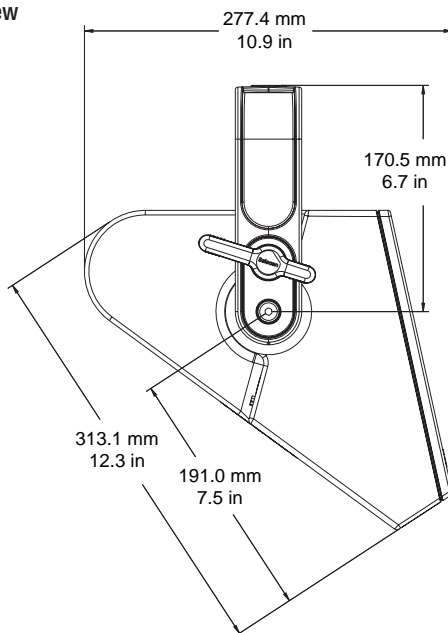
Output: > 2,000 lumens (white light)

Beam Spread: 42° (vertical) / 38° (horizontal)

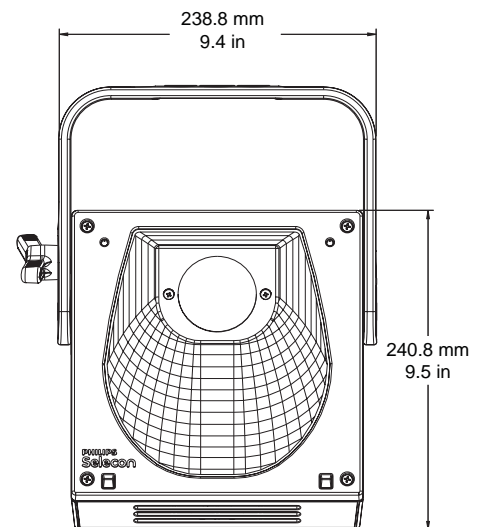


Dimensions

Side View



Front View





Infinite color choices from the RGBW engine and supporting color temperatures from 3000K to 5600K in white.



Ordering Information

Cat No. Description

PLCyc LED Luminaires		Accessories - Wireless DMX512 Receivers	
PLCYC1-03	PLCyc LED Luminaire, Black, with SC C-Clamp and AC Input Cable*	PLCYC1WDMX03	W-DMX Wireless DMX512 Receiver (Wireless Solutions) Black
	*Specify AC input cable at time of ordering.	PLCYC1LDMX03	Lumen Radio Wireless DMX512 Receiver Black
Accessories - Clamps		PLCYC1SDMX03	City Theatrical Wireless DMX512 Receiver Black
SC MC	Selecon Molded Yoke Rated C-Clamp Mega Claw, Black Anodized	Accessories - Wireless DMX512 Transmitters	
Accessories - AC Power Input Cables		PL1WDMXTR	W-DMX Wireless DMX512 Transmitter
PC1BE	PLCyc Luminaire AC Power Input Cable (39 inches / 1 meter), Powercon without AC connector (bare end)	PL1LDMXTR	Lumen Radio Wireless DMX512 Transmitter
PC1GP	PLCyc Luminaire AC Power Input Cable (39 inches / 1 meter), Powercon with Stagepin Connector	PL1SDMXTR	City Theatrical Wireless DMX512 Base Transmitter
PC1GTL	PLCyc Luminaire AC Power Input Cable (39 inches / 1 meter), Powercon with Twistlock Connector	Accessories - Luminaire Software Uploader Cable	
PC1GR	PLCyc Luminaire AC Power Input Cable (39 inches / 1 meter), Powercon with Edison Connector	PLUPLD	USB Luminaire Software Programming Kit (for updating or reloading luminaire software only) - includes USB to DMX Dongle, Uploader Program, and Carry Bag
Accessories - AC Interconnect Cables			
PC3PC	PLCyc Luminaire PowerCon Male to PowerCon Female 2.5 Meter Cable for interconnection between units		

Selecon Lighting

Dallas

10911 Petal Street
Dallas, Texas 75238
Tel: (214) 647-7880
Fax: (214) 647-8031

New York

267 5th Ave, 4th Floor
New York, NY 10016
Tel: (212) 213-8219
Fax: (212) 532-2593

© Philips Group 2012
All rights reserved.
The Company reserves the right to make any variation in design or construction to the equipment described. E&OE

Auckland

19-21 Kawana Street
Northcote, Auckland 0627
New Zealand
Tel: +64 9 481 0100
Fax: +64 9 481 0101

Asia

Unit C, 14/F, Roxy Industrial Centre
No. 41-49 Kwai Cheong Road
3 On Yiu Street
Kwai Chung, N.T. Hong Kong
Tel: +852 2796 9786
Fax: +852 2798 6545

Europe

European Service & Distribution Centre
Marssteden 152
Enschede 7547 TD
the Netherlands
Tel: +31-53-4500424
Fax: +31-53-4500425

