

SPX Ellipsoidal

ELLIPSOIDALS FOR THE 21ST CENTURY



A precision lighting instrument delivering the highest efficiency in ERS fixtures combined with the performance excellence, and user-friendly operational and safety features you expect from Philips Selecon.

Features

Up to 27% more efficient than current industry benchmark units.

Fully adjustable beam distribution from flat to true peak field.

SEVEN optical systems: 15°-35° and 25°-50° Zooms; 14°, 19°, 26°, 36° and 50° Fixed Beams.

ALL lens tubes interchangeable and can be ordered separately.

Designed to manage the power and heat from high output tungsten halogen 750W sources.

More light and high contrast pattern projections - fully adjustable beam distribution from peak (3:1) to flat (2:1) using intuitive adjustment solution.

Precise positioning with rigid molded yoke, shutter clamp lock, and reference scales on tilt, lens and lens tube angle settings.

Compartmental heat management system exhausts the heat away from the critical lamp socket and cabling to minimize heat damage.

Minimal light spill with enclosed front color frame / accessory holder.

Dual accessory slots for simultaneous use of 'B' size gate patterns, rotators and irises.

360° barrel rotation.

Mains isolation via micro-switch for maximum safety while re-lamping.

Ease of maintenance – full access to all lens surfaces for cleaning.

Three-year warranty.

Lamps: 115V

575W GLC 400hrs average life

575W GLA 1500 hours average life

750W GLD 300hrs average life

750W GLE 1500 hours average life

Ordering Information

Complete Luminaire

SPX1535	SPX 15°-35° Zoomspot
SPX 2550	SPX 25 -50° Zoomspot
SPX14	SPX 14° Fixed Beam
SPX19	SPX 19° Fixed Beam
SPX26	SPX 26° Fixed Beam
SPX36	SPX 36° Fixed Beam
SPX50	SPX 50° Fixed Beam

Accessories

20IRIS	20-leaf Iris
SPXGHB	'B' Gobo Holder
SPXGHGB	'B' Gobo Holder – glass
19PACSMFB	Lens Safety Mesh
19SPXCF	Color Frame
USCLAMP	Spare US theatrical C-clamp

Approvals

ETL / cETL listed to UL 1573.

SPECIFICATION SUBMITTAL

CONSULTANT: <input type="text"/>	PROJECT NAME: <input type="text"/>	MODEL NUMBER QUANTITY: <input type="text"/> <input type="text"/> <input type="text"/> <input type="text"/>
DATE: <input type="text"/>	PROJECT NUMBER: <input type="text"/>	APPROVED BY: <input type="text"/>

Photometric Data


Zoom 15° - 35°		Beam Diameter (feet)				
	15°	0	5.3	7.9	11.8	15.8
Throw Distance (feet)		0	20	30	45	60
Central illumination (Footcandles)						
Philips	15°	Peak	889	395	176	99
		Flat	628	279	124	70


Zoom 15° - 35°		Beam Diameter (feet)				
	35°	0	9.5	15.8	22.1	28.4
Throw Distance (feet)		0	15	25	35	45
Central illumination (Footcandles)						
Philips	35°	Peak	511	184	94	57
		Flat	361	130	66	40


Zoom 25° - 50° at 25°		Beam Diameter (feet)				
	25°	0	4.4	8.9	13.3	20.0
Throw Distance (feet)		0	10	20	30	45
Central illumination (Footcandles)						
Philips	25°	Peak	1623	406	180	80
		Flat	1148	287	128	57

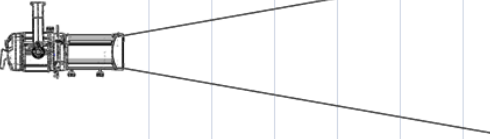
Zoom 25° - 50° at 50°		Beam Diameter (feet)				
	50°	0	9.3	18.7	28.0	32.6
Throw Distance (feet)		0	10	20	30	35
Central illumination (Footcandles)						
Philips	50°	Peak	489	122	54	40
		Flat	301	75	33	25


For Lux please multiply Fc by 10.7


		Beam Diameter (feet)					
		14°	0	7.4	12.3	17.2	22.1
							
Throw Distance (feet)			0	30	50	70	90
		Central illumination (Footcandles)					
Philips	14°	Peak	459	165	84	51	
		Flat	370	133	68	41	

		Beam Diameter (feet)					
		19°	0	8.4	13.4	18.4	23.4
							
Throw Distance (feet)			0	25	40	55	70
		Central illumination (Footcandles)					
Philips	19°	Peak	523	204	108	67	
		Flat	370	144	76	47	

		Beam Diameter (feet)					
		26°	0	6.9	13.9	20.8	27.7
							
Throw Distance (feet)			0	15	30	45	60
		Central illumination (Footcandles)					
Philips	26°	Peak	744	186	83	46	
		Flat	548	137	61	34	

		Beam Diameter (feet)					
		36°	0	9.7	16.2	22.7	29.2
							
Throw Distance (feet)			0	15	25	35	45
		Central illumination (Footcandles)					
Philips	36°	Peak	394	142	72	44	
		Flat	246	88	45	27	

		Beam Diameter (feet)					
		50°	0	9.3	14.0	23.3	28.0
							
Throw Distance (feet)			0	10	15	25	30
		Central illumination (Footcandles)					
Philips	50°	Peak	406	180	65	45	
		Flat	255	114	41	28	

G9.5 Lamp	Manu. Code	Voltage	Wattage	ANSI	Life to 50% Failure [nom]	Lamp Candela (Cd) [nom]	15-35° ZOOM				25-50° ZOOM					FIXED BEAM				
							at 15°	at 35°	at 25°	at 50°	14°	19°	26°	36°	50°					
	Philips 6982P	240	800	GKV	200	20,000	0.91	0.92	0.94	0.90	0.78	0.95	0.85	0.87	0.86					
	Philips 6986P	240	600	GKV	300	15,000	0.70	0.70	0.72	0.64	0.63	0.74	0.68	0.67	0.67					
	<i>Philips 6991P</i>	<i>240</i>	<i>600</i>	<i>GLB</i>	<i>1500</i>	<i>13,000</i>	<i>0.67</i>	<i>0.67</i>	<i>0.71</i>	<i>0.62</i>	<i>0.62</i>	<i>0.73</i>	<i>0.67</i>	<i>0.66</i>	<i>0.66</i>					
	Philips 6982P	230	800	GKV	200	20,000	0.91	0.92	0.94	0.90	0.78	0.95	0.85	0.87	0.86					
	<i>Philips 6986P</i>	<i>230</i>	<i>600</i>	<i>GKV</i>	<i>300</i>	<i>14,700</i>	<i>0.69</i>	<i>0.69</i>	<i>0.71</i>	<i>0.62</i>	<i>0.62</i>	<i>0.73</i>	<i>0.67</i>	<i>0.66</i>	<i>0.66</i>					
	<i>Philips 6991P</i>	<i>230</i>	<i>600</i>	<i>GLB</i>	<i>1500</i>	<i>13,000</i>	<i>0.61</i>	<i>0.61</i>	<i>0.62</i>	<i>0.55</i>	<i>0.55</i>	<i>0.64</i>	<i>0.59</i>	<i>0.58</i>	<i>0.58</i>					
	Philips 6981P	115	750	-	300	20,500	1.00	1.00	1.00	1.00	1.00	1.00	1.00	1.00	1.00					
	Philips 6989P	115	575	GLC	400	15,500	0.88	0.84	0.83	0.81	0.85	0.84	0.84	0.79	0.79					
	<i>Philips 6992P</i>	<i>115</i>	<i>575</i>	<i>GLA</i>	<i>1300</i>	<i>13,500</i>	<i>0.77</i>	<i>0.73</i>	<i>0.72</i>	<i>0.71</i>	<i>0.74</i>	<i>0.73</i>	<i>0.73</i>	<i>0.69</i>	<i>0.69</i>					
	<i>Osram HP GLG</i>	<i>115</i>	<i>375</i>	<i>GLG</i>	<i>300</i>	<i>10,000</i>	<i>0.57</i>	<i>0.54</i>	<i>0.54</i>	<i>0.52</i>	<i>0.55</i>	<i>0.54</i>	<i>0.54</i>	<i>0.51</i>	<i>0.51</i>					

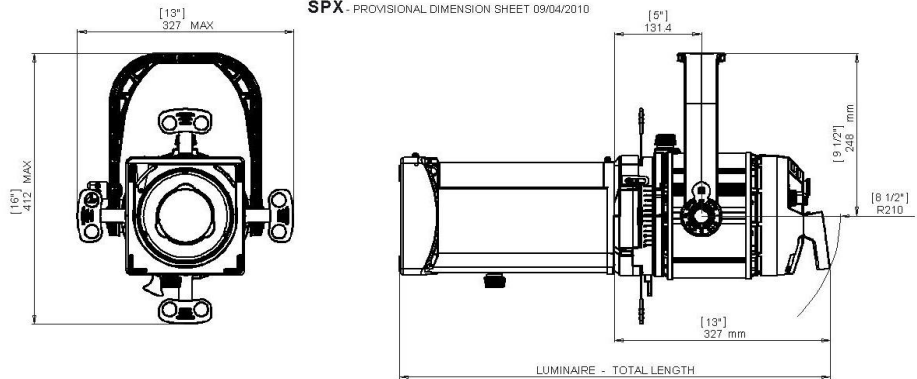
Note:
Photometric Tests conducted under laboratory conditions with calibrated lamps at the rated voltage, data then normalised to nominal Lamp Candela
Figures in Red Italics extrapolated from test data

Physical Data

Gobo size: B

Luminaire supplied with: 1x 6 1/4" x 6 1/4" color frame, 1x fitted safety chain, 1x C-clamp and instruction sheet.

Size Diagrams and Weights



North America

10911 Petal Street
Dallas, Texas 75238
Tel: +1 214 647 7880
Fax: +1 214 647 8030

267 5th Ave, 4th Floor
New York, NY 10016
Tel: +1 212 213 8219
Fax: +1 212 532 2593

New Zealand

19-21 Kawana Street
Northcote, Auckland 0627
Tel: +64 9 481 0100
Fax: +64 9 481 0101

Hong Kong

Unit C, Block C 14/F.,
Roxy Industrial Centre
No. 41-49 Kwai Cheong Road
Kwai Chung, N.T.
Tel: +852 2796 9786
Fax: +852 2798 6545

European Service & Distribution Centre

Marssteden 152
Enschede 7547 TD
the Netherlands
Tel: +31 53 450 0424
Fax: +31 53 450 0425

	Lens Angle	Lens Tube Length		Luminaire Total Length		Approx. Weight for Complete Luminaire	
		metric (mm)	imperial (")	metric (mm)	imperial (")	metric (kg)	imperial (lbs)
Fixed	14	400	15.7	700	27.6	8.3	18.25
	19	310	12.2	610	24.0	8.3	18.25
	26	270	10.6	570	22.4	8.3	18.25
	36	250	9.8	550	21.7	8.3	18.25
	50	200	7.9	500	19.7	8.3	18.25
Zoom	15-35	370	14.6	670	26.4	8.3	18.25
	25-50	280	11.0	580	22.8	8.3	18.25

© Philips Group 2010

All rights reserved.

The Company reserves the right to make any variation in design or construction to the equipment described.
E&OE

100411NA

PHILIPS
Selecon