



Studio Panel LED Luminaire

Studio Panel is a compact light weight LED luminaire designed for both studio and location use. Units feature tunable white color temperature control from 3000K to 6000K making it ideal for a wide range of lighting applications.

Requiring just 50 watts the unit will operate on AC or DC voltage. The battery power input is designed to allow location operation using industry standard batteries. An available range of holographic diffusers provide beam angle control with minimal light loss.

Features

- Compact lightweight design
- Standard 19 degree beam angle with available diffusion lenses (40 and 60 degree - both sold separately) for a wide range of focus control
- 8 or 16 bit control from any DMX512 control source
- Local control for intensity and color temperature
- 9 built-in color temperature presets including 3000K, 3200K, 4000K, 5600K, and 6000K
- Snap on barndoors (sold separately)
- Battery power (DC) input
- Operates on 100-240 VAC or 12 - 24 VDC
- cETLus listed, CE and C-Tick approvals and markings for global operation



Studio Panel LED Luminaire
(Stand, by others)



SPECIFICATION SUBMITTAL

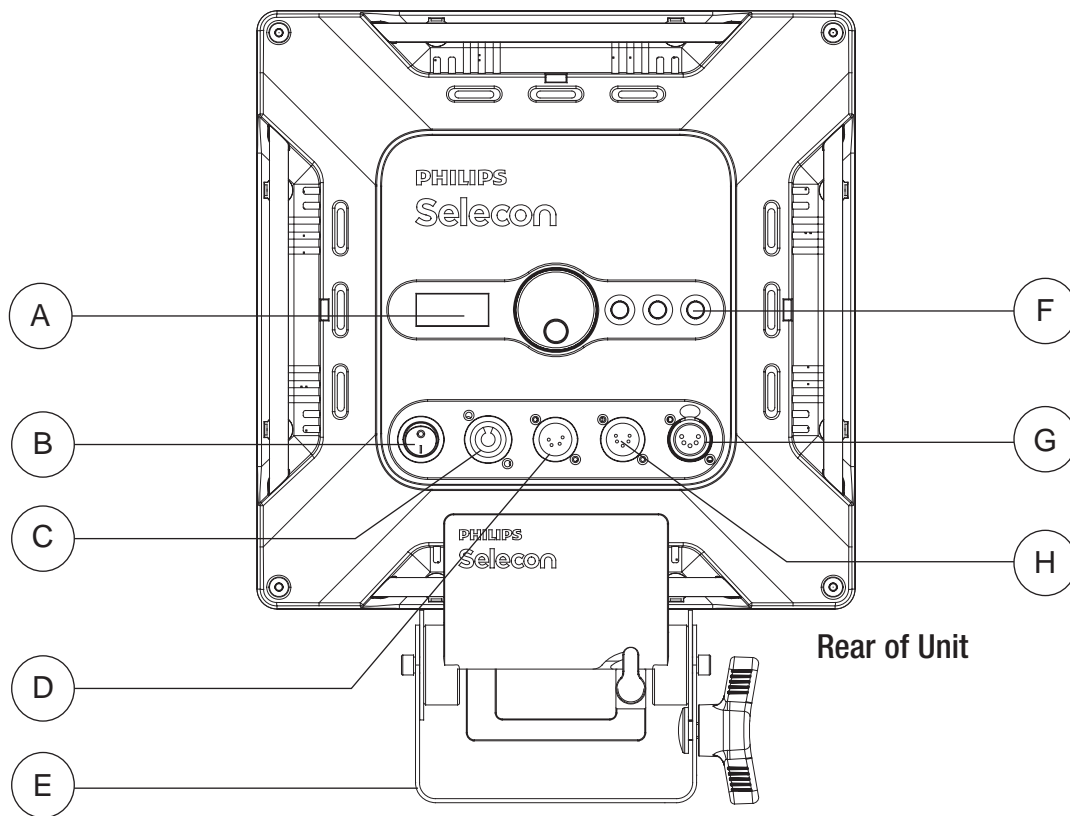
CONSULTANT: <input type="text"/>	PROJECT NAME: <input type="text"/>	MODEL NUMBER QUANTITY: <input type="text"/> <input type="text"/> <input type="text"/> <input type="text"/> <input type="text"/> <input type="text"/>
DATE: <input type="text"/>	PROJECT NUMBER: <input type="text"/>	APPROVED BY: <input type="text"/>



The Studio Panel LED Luminaire offers a removable / repositionable handle/mount assembly



Studio Panel LED Luminaire Connections & Menu System



- A. LCD Display / Menu System
- B. On / Off Power Switch
- C. AC Input Connector
- D. DC Input Connector
- E. Detachable / Repositionable Handle & Mount
- F. Menu System Controls
- G. DMX512 / RDM Input
- H. DMX512 / RDM Output/Thru

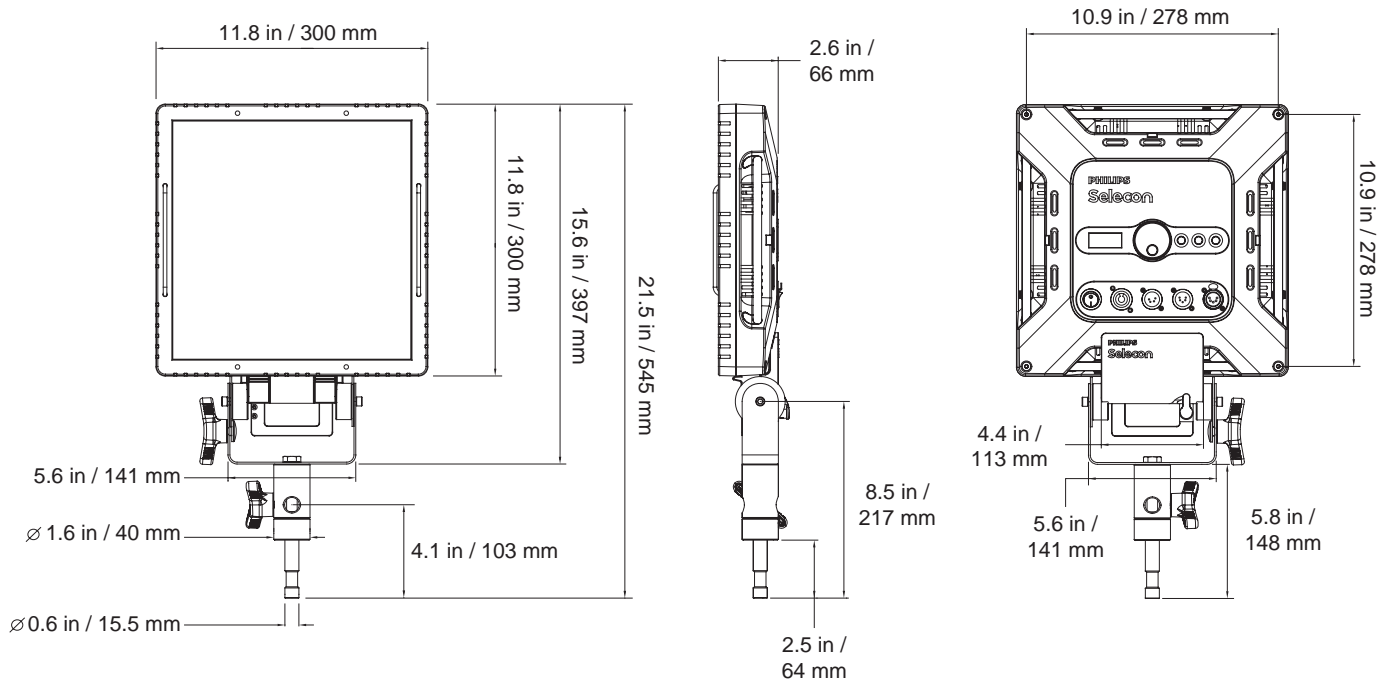


Technical Specifications

Electrical Specifications	Mechanical Specifications
Source: Tunable White LED Array	Construction: Die cast aluminum and molded engineering grade plastic components
Output: > 2,000 lumens (white light)	Color Options: Black
Color Temperature: 3000 - 6000K (user adjustable)	Weight: 5.1 lbs / 2.3 kg (luminaire only)
Operating Voltages (AC): 100 to 240 Volts AC (auto-ranging)	Cooling: Natural Convection
Current (AC): 0.80 Amps (max.) at 115V / 0.40 Amps (max.) at 230V	Standards Compliance: cETLus listed, CE Marked, IP20 Rated
Operating Voltages (DC): 12 to 24 Volts DC (auto-ranging, 50W max.)	
Frequency: 50/60 Hz	
Ambient Temperature: 0° to 40°C (32° to 104°F)	
Humidity: 5%-95% Non condensing	
Control: DMX512 (1990) / DMX512A (RDM) / On-Board Menu	



Studio Panel LED Luminaire Dimensions



Note: Shown with supplied stud adapter installed. This adapter is removable.



Studio Panel LED Luminaire

(shown with optional barndoors - PLSTUPNLBD, 2 sets)



Ordering Information

Cat No. Description

Studio Panel Luminaires		Studio Panel Luminaire Accessories	
PLSTUPNL-03	Studio Panel LED Luminaire*	PLSTUPNLBD	2-Leaf Snap On Barndoor
Studio Panel Luminaire Input Cables**		PLSTUPNLSAF	Female 5/8-Inch Stud Adapter
PC1BE	1 Meter AC Input Cable***	PLSTUPNLSAM	Male 5/8-Inch Stud Adapter
PC1GP	1 Meter AC Input Cable - Stage Pin	MC	Megaclaw, Black Anodized
PC1GTL	1 Meter AC Input Cable - Twistlock	SC	Molded Yoke C-Clamp
PC1GR	1 Meter AC Input Cable - Edison	HC	Light Weight Half Coupler
PC3BE	3 Meter AC Input Cable***	82003	Safety Cable
PC8BE	8 Meter AC Input Cable***	PLSTUPNLL40	40-Degree Standard Spread Lens
PC8GR	8 Meter AC Input Cable - Edison	PLSTUPNLL60	60-Degree Standard Spread Lens
NOTES:			
* All units include PC1BE AC input cable, stud adapter (male/female), handle/mount assembly, and installation & user's manual			
** All AC input cables supplied with a Powercon connector to mate to fixture.			
*** Cable supplied bare-ended. User supplies and installs AC input connector.			

Selecon Lighting

Dallas

10911 Petal Street
Dallas, Texas 75238
Tel: +1 (214) 647-7880
Fax: +1 (214) 647-8031

New York

267 5th Ave, 4th Floor
New York, NY 10016
Tel: +1 (212) 213-8219
Fax: +1 (212) 532-2593

© Philips Group 2012
All rights reserved.
The Company reserves the right to make any variation in design or construction to the equipment described. E&OE

Auckland

19-21 Kawana Street
Northcote, Auckland 0627
New Zealand
Tel: +64 9 481 0100
Fax: +64 9 481 0101

Asia

Unit C, 14/F,
Roxy Industrial Centre
No. 41-49 Kwai Cheong Road
Kwai Chung, N.T. Hong Kong
Tel: +852 2796 9786
Fax: +852 2798 6545

Europe

European Service & Distribution Centre
Rondweg zuid 85
Winterswijk 7102 JD
the Netherlands
Tel: +31 (0) 543-542516