

Acclaim 4 Inch 6°-60° Fresnel



The Acclaim 6°-60° Fresnel is a 300W / 575W / 650W general purpose Fresnel (4¼" diameter lens) for theatre, small studio and display lighting applications which produces an adjustable cone of light with a soft edge that is easily blended with adjacent beams to provide even illumination.

Features

- Up to 40% more light output than other Fresnels.
- Improved filter life through increased airflow.
- Cooler focus operation due to the use of engineering plastics on front (color frame mount) and rear.
- Adjustable yoke balance point.
- 'Swing-down' side door for easy access to lamp or for cleaning.

Lamp life is enhanced through judder-free focus action of the captive lamp/reflector assembly which moves on Teflon-coated bearings.

Heat-insulated rear grab-handle which doubles as handy storage for the 3ft cable length.

New barndoor design, cool to focus maintaining settings through unique hinge tension design.

Focusing is fast and safe using the large rear grab handle, heat protected focus knob and filter holder.

Built Selecon tough from aluminum extrusion and molded engineering plastics – robust, dependable, safe and easy to rig.

Permanently attached integrated safety cable ensures that this important safety requirement is always on hand.

Integral micro-switch provides automatic power disconnection to the fixture when opening to relamp, preventing a student or technician inserting a lamp into an electrically live fixture.

Three year warranty.

Lamps

300W FKW 7,800 lumens	200hrs average life
575W Ushio JCS120V-575WC	300hrs average life
575W Ushio JCS120V-575WX	1500hrs average life
650W FRK 16,900 lumens	200hrs average life

Ordering information

12ACFUS	Acclaim 4 Inch Fresnel, black
20BDMF	Barndoor, 4 way, black
15ACSM	Lens safety mesh
20CFMF	Spare color frame
USCLAMP	Spare US theatrical C-clamp

For connector options please specify the following suffixes when ordering:

- GR** NEMA 5-15P Grounded Edison
- GP** 20A Stage Pin Plug
- GTL** NEMA L5-20P Twist-Lock

Approvals

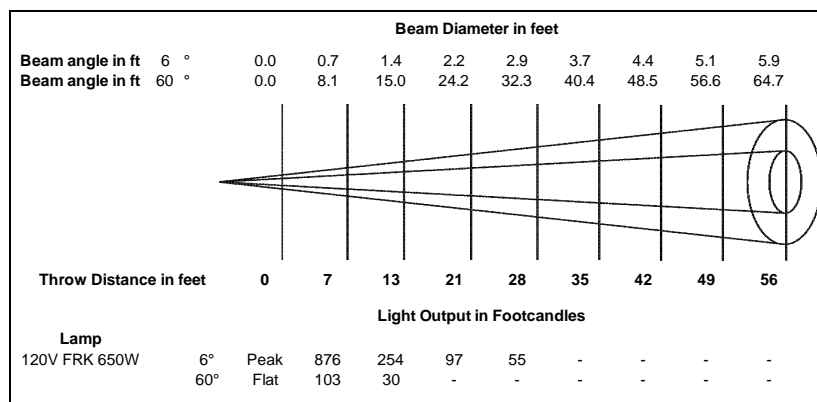
ETL / cETL listed to UL 1573.

SPECIFICATION SUBMITTAL

CONSULTANT: <input type="text"/>	PROJECT NAME: <input type="text"/>	MODEL NUMBER QUANTITY: <input type="text"/> <input type="text"/> <input type="text"/> <input type="text"/> <input type="text"/> <input type="text"/>
DATE: <input type="text"/>	PROJECT NUMBER: <input type="text"/>	APPROVED BY: <input type="text"/>

Photometric data

Tests conducted using a standard FRK, 650W, 120V lamp.



For Lux please multiply Fc by 10.7

Physical data

Weight: 7lb 4oz

Packed: 8lb

Carton size: 16 1/2" x 8 7/8" x 7"

Cubic: 0.016

Color frame size: 4 7/8" x 4 7/8"

AC supply cable: 36"

Fixture with integrated safety cable supplied with: 1x color frame, 1x C-clamp, instruction sheet.

North America

10911 Petal Street
Dallas, Texas 75238
Tel: +1 214 647 7880
Fax: +1 214 647 8030

267 5th Ave, 4th Floor
New York, NY 10016
Tel: +1 212 213 8219
Fax: +1 212 532 2593

New Zealand

19-21 Kawana Street
Northcote, Auckland 0627
Tel: +64 9 481 0100
Fax: +64 9 481 0101

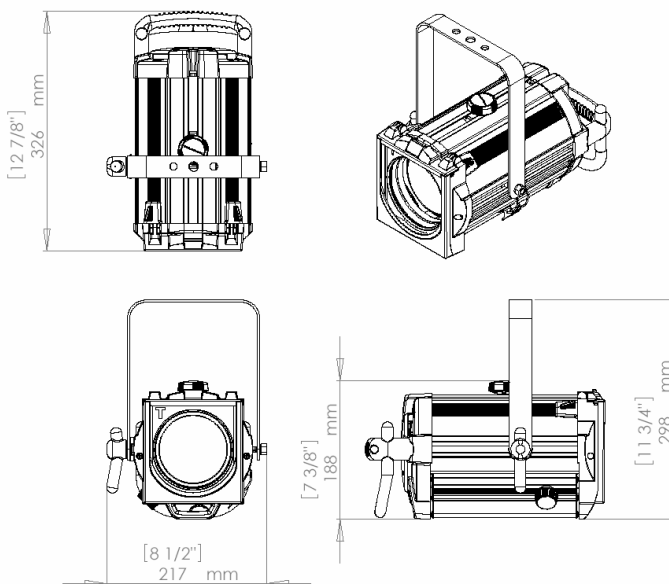
Hong Kong

Room 6-10
20/F Delta House
3 On Yiu Street
Shatin, N.T.
Tel: +852 2757 3033
Fax: +852 2757 1767

European Service & Distribution Centre

Marssteden 152
Enschede 7547 TD
the Netherlands
Tel: +31 53 450 0424
Fax: +31 53 450 0425

110810NA



© Philips Group 2010

All rights reserved.

The Company reserves the right to make any variation in design or construction to the equipment described.
E&OE

PHILIPS
Selecon