

Arena 10 Inch High Performance 8°-60° Fresnel



A 2.0kW Fresnel fixture using a 10" lens. Beam quality is excellent with a well-controlled flat even field with a distinct "white-blue" tint.

The Arena High Performance Fresnel offers superior light output, strength and industry leading performance.

Features

Leading performance for a theatre Fresnel due to 10" diameter lens.

Wide range of beam angles from 9° to 52°.

"Cool Touch Technology" – rear moldings and large rear grab handle.

Flat even beam with very little spill allows clean masking with barndoor flaps.

Adjustable yoke balance point.

'Swing-down' door for easy access to lamp or cleaning.

G38 lamp socket.

Smooth focus movement from 'Posi-slide' focus system, no metal to metal contact.

Effective airflow maintains lower body temperature.

Permanently attached integrated safety cable ensures that this important safety requirement is always on hand.

Integral micro-switch provides automatic disconnection of power to the fixture when opening to relamp, preventing a student or technician inserting a lamp into an electrically live fixture.

Three year warranty.

Lamps: 120V

2000W CYX

54,000 lumens 400hrs average life

1500W CXX

325hrs average life

Ordering information

10SF2520G38	Arena 10 Inch High Performance Fresnel, black
20BDSF2025	Barndoor, 4 way, black
20BDSF20258	Barndoor, 8 way, black
20SM25	Lens safety mesh
20CFSF2025	Spare color frame
USCLAMP	Spare US theatrical C-clamp

For connector options please specify the following suffixes when ordering:

-GR NEMA 5-15P Grounded Edison

-GP 20A Stage Pin Plug

-GTL NEMA L5-20P Twist-Lock

Approvals

ETL / cETL listed to UL 1573.

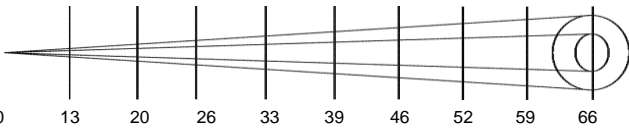
SPECIFICATION SUBMITTAL

CONSULTANT: <input type="text"/>	PROJECT NAME: <input type="text"/>	MODEL NUMBER QUANTITY: <input type="text"/> <input type="text"/> <input type="text"/> <input type="text"/> <input type="text"/> <input type="text"/>
DATE: <input type="text"/>	PROJECT NUMBER: <input type="text"/>	APPROVED BY: <input type="text"/>

Photometric data

Tests conducted using standard Philips lamp.

		Beam Diameter in feet									
Beam angle	9 °	0	2.0	3.1	4.1	5.2	6.1	7.2	8.2	9.3	10.3
Beam angle	52 °	0	12.7	19.0	25.4	32.2	38.0	44.9	50.7	57.6	63.9
Throw Distance in Feet		0	13	20	26	33	39	46	52	59	66
		Light Output in Footcandles									
Lamp											
120V CYX 2000W	Spot	1600	711	400	248	178	128	100	78	63	
	Flood	191	85	48	30	21	15	12	9	8	
Field Angle: 13° - 77°											



For Lux please multiply Fc by 10.7

Physical data

Weight: 19lb

Packed weight: 24lb

Carton size: 12" x 14 3/4" x 20 1/2"

Carton size cubic: 0.06

Color frame size: 12" x 9 1/2"

AC supply cable: 36"

Included: 1x color frame, 1x C-clamp and instruction sheet.

North America

10911 Petal Street
Dallas, Texas 75238
Tel: +1 214 647 7880
Fax: +1 214 647 8030

267 5th Ave, 4th Floor
New York, NY 10016
Tel: +1 212 213 8219
Fax: +1 212 532 2593

New Zealand

19-21 Kawana Street
Northcote, Auckland 0627
Tel: +64 9 481 0100
Fax: +64 9 481 0101

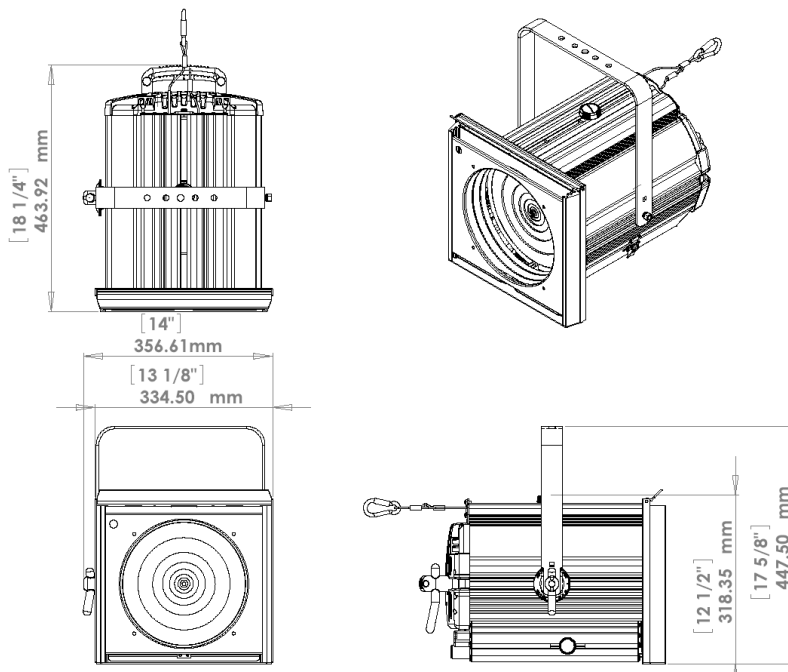
Hong Kong

Room 6-10
20/F Delta House
3 On Yiu Street
Shatin, N.T.
Tel: +852 2757 3033
Fax: +852 2757 1767

European Service & Distribution Centre

Marssteden 152
Enschede 7547 TD
the Netherlands
Tel: +31 53 450 0424
Fax: +31 53 450 0425

063010NA



© Philips Group 2010
All rights reserved.

The Company reserves the right to make any variation in design or construction to the equipment described.
E&OE

PHILIPS
Selecon