

Arena 8 Inch 7°-60° Theatre Fresnel



The Arena 8 Inch Theatre Fresnel is a 2.0kW fixture using an 8" diameter lens. The adjustable cone of light has a soft edge, easily blended with adjacent beams to provide even illumination.

This fully featured fixture is constructed of pressure die-castings and aluminum extrusion.

The Arena 8 Inch Theatre Fresnel offers superior light output, strength and performance at a moderate cost.

Features

Wide range of beam angle from 7° to 60°.

Flat even beam with very little spill.

Adjustable yoke balance point.

'Swing-down' door for easy access to lamp or cleaning.

G38 base for CYX, 2.0kW lamp.

Smooth focus movement from 'posi-slide' focus system, no metal to metal contact.

Effective airflow maintains lower body temperature.

Permanently attached integrated safety cable ensures that this important safety requirement is always on hand.

Integral micro-switch provides automatic disconnection of power to the fixture when opening to relamp, preventing a student or technician inserting a lamp into an electrically live fixture.

Three year warranty.

Lamps: 120V

2000W CYX
54,000 lumens 400hrs average life

1500W CXX
325hrs average life

Ordering information

10SF2020G38	Arena 8 Inch Theatre Fresnel, black
20BDSF2020	Barndoor, 4 way, black
20BDSF20208	Barndoor, 8 way, black
20SM24	Lens safety mesh
20CFSF2020	Spare color frame
USCLAMP	Spare US theatrical C-clamp

For connector options please specify the following suffixes when ordering:

- GR NEMA 5-15P Grounded Edison
- GP 20A Stage Pin Plug
- GTL NEMA L5-20P Twist-Lock

Approvals

ETL / cETL listed to UL 1573.

SPECIFICATION SUBMITTAL

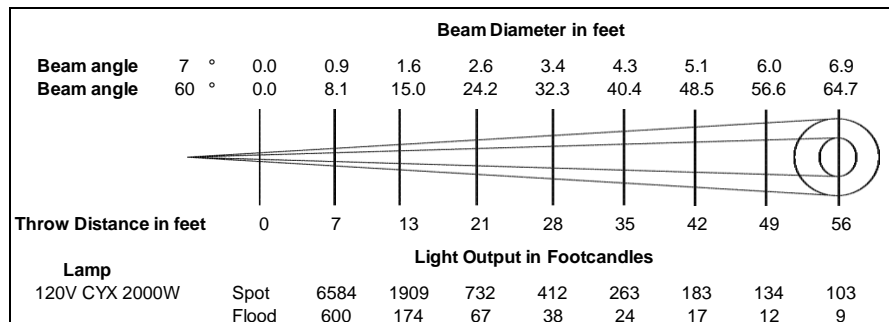
CONSULTANT: <input type="text"/>	PROJECT NAME: <input type="text"/>	MODEL NUMBER QUANTITY: <input type="text"/> <input type="text"/> <input type="text"/> <input type="text"/> <input type="text"/> <input type="text"/>
DATE: <input type="text"/>	PROJECT NUMBER: <input type="text"/>	APPROVED BY: <input type="text"/>

Photometric data

Tests conducted using a standard CYX, 2000W, 120V, 54,000 lumens lamp.

Beam angles:

Spot 7° 338,400 cd Flood 60° 34,560 cd
 Field: 22° 70°



For Lux please multiply Fc by 10.7

Physical data

Weights:

Unit including color frame: 22lb

Unit including color frame – packed: 26lb 8oz

Carton size: 12" x 14 3/4" x 20 1/2"

Carton size: Cubic: 0.06

Color frame size: 9 5/8" x 9 5/8" square

AC supply cable: 36"

Included: 1x color frame, 1x C-clamp, instruction sheet.

North America

10911 Petal Street
 Dallas, Texas 75238
 Tel: +1 214 647 7880
 Fax: +1 214 647 8030

267 5th Ave, 4th Floor
 New York, NY 10016
 Tel: +1 212 213 8219
 Fax: +1 212 532 2593

New Zealand

19-21 Kawana Street
 Northcote, Auckland 0627
 Tel: +64 9 481 0100
 Fax: +64 9 481 0101

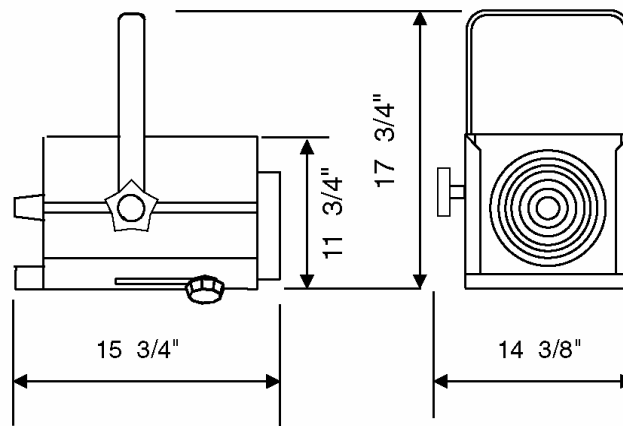
Hong Kong

Room 6-10
 20/F Delta House
 3 On Yiu Street
 Shatin, N.T.
 Tel: +852 2757 3033
 Fax: +852 2757 1767

European Service & Distribution Centre

Marssteden 152
 Enschede 7547 TD
 the Netherlands
 Tel: +31 53 450 0424
 Fax: +31 53 450 0425

063010NA



© Philips Group 2010

All rights reserved.

The Company reserves the right to make any variation in design or construction to the equipment described.
 E&OE

PHILIPS
Selecon