

# Aurora Cyc



**The Aurora Cyc, a range of 500W and 1000W asymmetric floods to light the cyc or backcloth with a visually even wash of light from a top mounting position.**

Designed to light cyc cloths up to 30ft high from a throw distance of 6–10ft.

The Aurora Cyc is a high performance entertainment luminaire designed for entertainment and studio applications; it is not designed for continuous use as required for a work light or rehearsal light. For these applications please use the Hui Work Light.

## Features

Light beam is very smooth and falls off evenly without visible high lights or shadows.

Repeatability of beam characteristics is guaranteed by the extruded aluminum reflector.

Robust construction from a combination of aluminum extrusions and formed steel panels.

Filter life is maximized by the dual air-flow chamber construction.

Filter frame size ensures an economic two frame cut out of a standard filter sheet.

The filter frame is flat ensuring it can be mounted into the fixture with ease.

Relamp without removing the color filter holder via the hinged front filter holder assembly.

Standard integral safety glass adds additional safety features to this fixture. In the unlikely event of a lamp exploding the safety glass ensures that any remains are contained within the fixture.

Permanently attached safety cable ensures that this important safety requirement is always on hand..

Integral micro-switch provides automatic disconnection of power to the fixture when opening to relamp, preventing a student or technician inserting a lamp into an electrically live fixture.

Three year warranty.

## Lamps: 120V

**FFT 1000W**  
26,450 lumens 400hrs average life

## Ordering information

<b>10AUCYC1US</b>	Aurora Cyc 1-Batten, black
<b>10AUCYC1POUS</b>	Aurora Cyc 1-Batten, pole operation tilt, black
<b>10AUCYC3LUS</b>	Aurora Cyc 3-Batten, black
<b>10AUCYC4LUS</b>	Aurora Cyc 4-Batten, black
<b>10AUCYC4LSUS</b>	Aurora Cyc 4-Batten Square, black
<b>10AUCYC4SPOUS</b>	Aurora Cyc 4-Batten Square, pole operation tilt, black
<b>20BDAU</b>	Barndoor, 4 way, black
<b>20CFAUCY</b>	Spare color frame
<b>AURLN001</b>	Spare safety glass
<b>USCLAMP</b>	Spare US theatrical C-clamp

For connector options please specify the following suffixes when ordering:

- GR NEMA 5-15P Grounded Edison
- GP 20A Stage Pin Plug
- GTL NEMA L5-20P Twist Lock

## Approvals

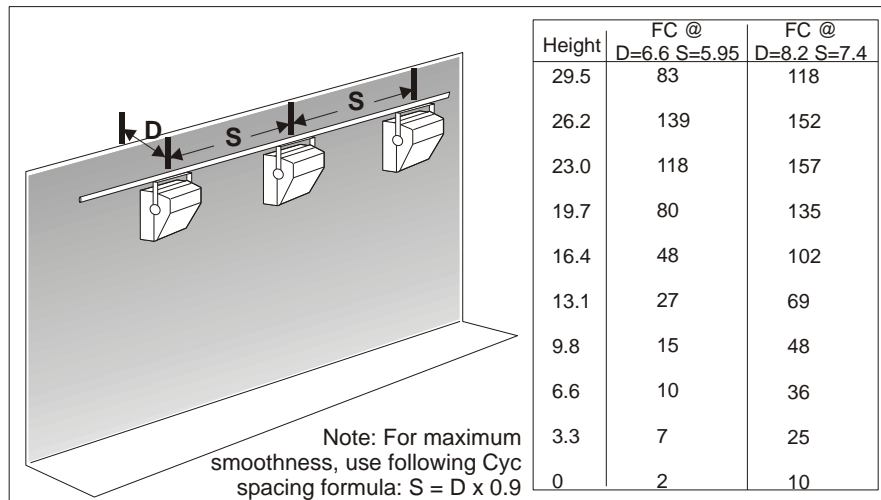
ETL / cETL listed to UL 1573.

## SPECIFICATION SUBMITTAL

CONSULTANT: <input type="text"/>	PROJECT NAME: <input type="text"/>	MODEL NUMBER   QUANTITY: <input type="text"/> <input type="text"/>   <input type="text"/> <input type="text"/> <input type="text"/> <input type="text"/>
DATE: <input type="text"/>	PROJECT NUMBER: <input type="text"/>	APPROVED BY: <input type="text"/>

## Photometric data

Tests conducted using a standard FFT Osram 1000W 120V linear lamp.



For Lux please multiply Fc by 10.7

## Physical data

### Weights:

1-Batten: 18lb      3-Batten: 49lb 9oz      4-Batten: 66lb      4-Batten Square: 72lb

Color frame size: 12" x 12 3/8"

AC supply cable: 36"

Included: 1x color frame for single, 4x color frame for 4-way, 1x C-clamp, instruction sheet.

### North America

10911 Petal Street  
Dallas, Texas 75238  
Tel: +1 214 647 7880  
Fax: +1 214 647 8030

267 5th Ave, 4th Floor  
New York, NY 10016  
Tel: +1 212 213 8219  
Fax: +1 212 532 2593

### New Zealand

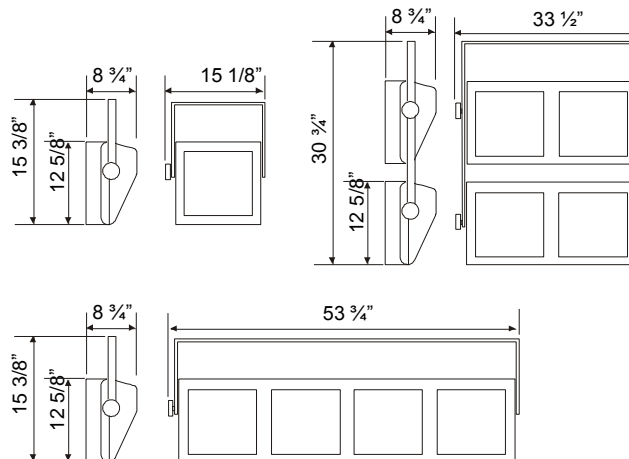
19-21 Kawana Street  
Northcote, Auckland 0627  
Tel: +64 9 481 0100  
Fax: +64 9 481 0101

### Hong Kong

Room 6-10  
20/F Delta House  
3 On Yiu Street  
Shatin, N.T.  
Tel: +852 2757 3033  
Fax: +852 2757 1767

### European Service & Distribution Centre

Marssteden 152  
Enschede 7547 TD  
the Netherlands  
Tel: +31 53 450 0424  
Fax: +31 53 450 0425



© Philips Group 2010

All rights reserved.

The Company reserves the right to make any variation in design or construction to the equipment described.  
E&OE

063010NA

**PHILIPS**  
**Selecon**