

# Pacific 7.5°-19° Followspot



**A compact sized, cool beam Followspot with a wide choice of light sources making it the ideal choice for schools, smaller theatres & entertainment venues as well as production companies.**

## Features

Choice of light sources to meet the throw requirements of most venues:  
575W tungsten halogen, 115V – 100fc at 68.5ft  
750W tungsten halogen, 115V – 100fc at 71ft  
1000W tungsten halogen, 115V – 100fc at 69ft

MSR hot restrike 575W, flicker free operation, 90–240V – 100fc at 120ft

Cool beam and all the operational advantages of Selecon's Pacific heat management technology.

Adjustable iris diaphragm with black out and protective guard.

Braced yoke and platten spigot ensures smooth operation of the Followspot.

The yoke balance point can be adjusted to suit the operator's requirements.

NO Fans, other than that required for the MSR power supply.

Ergonomic guide handles which position the hand for easy operation of the iris and color changer.

Ease of maintenance – slide out iris; top panel slide access to lens; removable lamp module and wiring.

Three year warranty.

## Approvals

ETL / cETL listed to UL 1573.

## Lamps: 115V

<b>GLC 575W</b> 15,500 lumens	300hrs average life
<b>GLA 575W</b> 13,000 lumens	1500hrs average life
<b>GLD 750W</b> 18,600 lumens	400hrs average life
<b>Philips 120V 750W</b> 20,500 lumens	Type code 6981P 300hrs average life
<b>GAC 1000W BP</b> 27,000 lumens	250hrs average life

## Ordering information

**18PACFS + 19PACLM6**  
Pacific Tungsten Halogen 575W/750W (blue handle lamp module) Followspot, black

**18PACFS + 19PACLM1**  
Pacific Tungsten Halogen 1000W (red handle lamp module) Followspot, black

**18PACFCCH** 4-color changer  
**19PACFSGH** Steel gobo holder – A size  
**20SFCF2020** Spare color frame  
**STDFS** Fold-out tripod Followspot stand

**18PACFS** Pacific Followspot – NO lamp module

For connector options please specify the following suffixes when ordering:

- GR NEMA 5-15P Grounded Edison
- GP 20A Stage Pin Plug
- GTL NEMA L5-20P Twist-Lock

## SPECIFICATION SUBMITTAL

CONSULTANT: <input type="text"/>	PROJECT NAME: <input type="text"/>	MODEL NUMBER   QUANTITY: <input type="text"/> <input type="text"/> <input type="text"/> <input type="text"/> <input type="text"/> <input type="text"/>
DATE: <input type="text"/>	PROJECT NUMBER: <input type="text"/>	APPROVED BY: <input type="text"/>

## Photometric data

Tests conducted using standard lamps.

### Recommended Throw Distances

#### 0-20 Feet

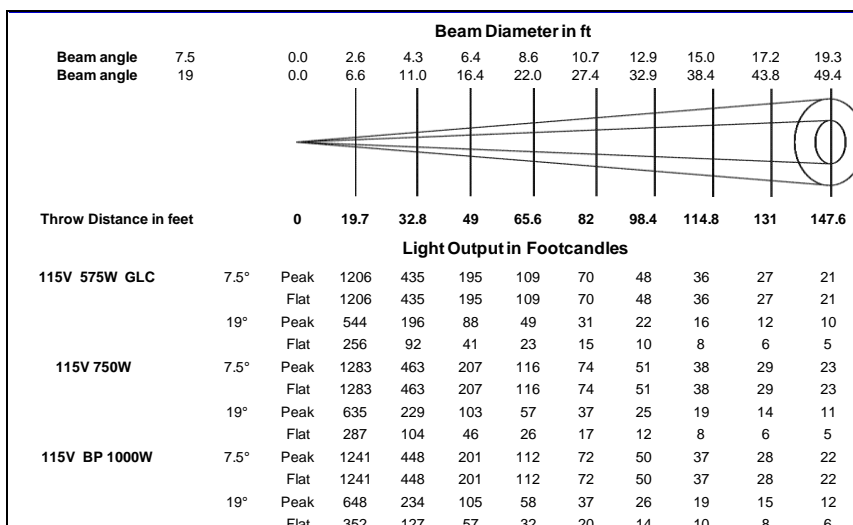
575W Blue Handle Incandescent

#### 21-30 Feet

750W Blue Handle Incandescent

#### 31-45 Feet

1000W Red Handle Incandescent



To calculate the light output data for the long life GLA 575W lamp please multiply the above GLC 575W figures by x0.86. For Lux please multiply Fc by 10.7

## Physical data

Fixture weight: 42lb 7oz    Color changer weight: 8lb 7oz    Followspot stand weight: 13 lb  
AC supply cable: 36"

### North America

10911 Petal Street  
Dallas, Texas 75238  
Tel: +1 214 647 7880  
Fax: +1 214 647 8030

267 5th Ave, 4th Floor  
New York, NY 10016  
Tel: +1 212 213 8219  
Fax: +1 212 532 2593

### New Zealand

19-21 Kawana Street  
Northcote, Auckland 0627  
Tel: +64 9 481 0100  
Fax: +64 9 481 0101

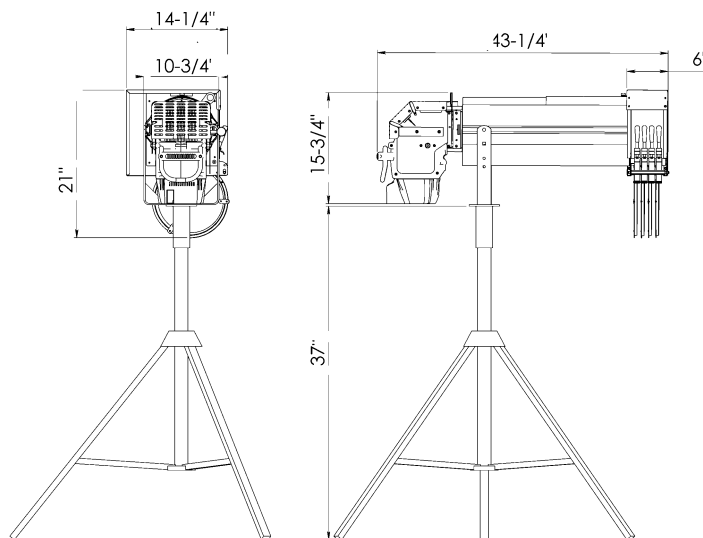
### Hong Kong

Room 6-10  
20/F Delta House  
3 On Yiu Street  
Shatin, N.T.  
Tel: +852 2757 3033  
Fax: +852 2757 1767

### European Service & Distribution Centre

Marssteden 152  
Enschede 7547 TD  
the Netherlands  
Tel: +31 53 450 0424  
Fax: +31 53 450 0425

063010NA



© Philips Group 2010

All rights reserved.

The Company reserves the right to make any variation in design or construction to the equipment described.  
E&OE

**PHILIPS**  
**Selecon**