

# Pacific 7.5°-19° Zoomspot



**A base down axial ellipsoidal delivering a “cool” beam of crisp “white” light with little or no distortion, ideal for gobo projection and precise beam shaping.**

The active heat management system delivers longer life for filters and shutters while providing lower energy consumption.

The Pacific range is constructed from aluminum pressure die-castings and injection molded Fortron plastic components.

## Features

A compact 7.5°–19° fixture only 3 feet long.

Cool light ‘white’ light. Over 80% of the heat is removed from the light beam by cold mirror and dissipated through the heatsink.

Base down lamp mounted axially in the reflector to maximize light collection.

Accurate, simple & cool to use, lamp peak / flat adjustment.

Two gobo / iris mounting positions.

Rotatable lens tube.

Height adjustable yoke.

Permanently attached safety cable ensures that this important safety requirement is always on hand.

Integral micro-switch provides automatic disconnection of power to the fixture when opening to relamp, preventing a student or technician inserting a lamp into an electrically live fixture.

Three year warranty.

## Approvals

ETL / cETL listed to UL 1573.

## Lamps: 115V

<b>GLC 575W</b> 15,500 lumens	300hrs average life
<b>GLA 575W</b> 13,000 lumens	1500hrs average life
<b>GLD 750W</b> 18,600 lumens	400hrs average life
<b>Philips 120V 750W</b> 20,500 lumens	Type code 6981P 300hrs average life
<b>GAC 1000W BP</b> 27,000 lumens	250hrs average life

## Ordering information

<b>PAC1-575/750-719</b>	Pacific 7.5-19 Zoomspot , 575W, 750W
<b>PAC1-1000-719</b>	Pacific 7.5-19 Zoomspot, 1000W
<b>19PACGHB</b>	Steel gobo holder – B size
<b>19PACGHBG</b>	Glass gobo holder – B size
<b>19PACGHPLPH</b>	Printed transparency holder – 575W only
<b>20IRIS</b>	Iris
<b>19PAC513HDY</b>	Heavy duty yoke
<b>20CFSF2020</b>	Spare color frame
<b>20SM20</b>	Lens safety mesh
<b>USCLAMP</b>	Spare US theatrical C-clamp

For connector options please specify the following suffixes when ordering:

- GR NEMA 5-15P Grounded Edison
- GP 20A Stage Pin Plug
- GTL NEMA L5-20P Twist-Lock

## SPECIFICATION SUBMITTAL

CONSULTANT: <input type="text"/>	PROJECT NAME: <input type="text"/>	MODEL NUMBER   QUANTITY: <input type="text"/> <input type="text"/> <input type="text"/> <input type="text"/> <input type="text"/> <input type="text"/>
DATE: <input type="text"/>	PROJECT NUMBER: <input type="text"/>	APPROVED BY: <input type="text"/>

## Photometric data

Tests conducted using standard 115V production lamps manufactured by Philips.

		Beam Diameter in ft										
Beam angle		7.5 °, ft	0.0	2.6	4.3	6.4	8.6	10.7	12.9	15.0	17.2	19.3
Beam angle		19 °, ft	0.0	6.6	11.0	16.4	22.0	27.4	32.9	38.4	43.8	49.4
		Throw Distance in ft										
		0	19.7	32.8	49	65.6	82	98.4	114.8	131	147.6	
		Light Output in Footcandles										
Lamp												
115V 575W GLC	7.5°	Peak	1206	435	195	109	70	48	36	27	21	
		Flat	1206	435	195	109	70	48	36	27	21	
	19°	Peak	544	196	88	49	31	22	16	12	10	
		Flat	256	92	41	23	15	10	8	6	5	
115V 750W	7.5°	Peak	1283	463	207	116	74	51	38	29	23	
		Flat	1283	463	207	116	74	51	38	29	23	
	19°	Peak	635	229	103	57	37	25	19	14	11	
		Flat	287	104	46	26	17	12	8	6	5	
115V BP 1000W	7.5°	Peak	1241	448	201	112	72	50	37	28	22	
		Flat	1241	448	201	112	72	50	37	28	22	
	19°	Peak	648	234	105	58	37	26	19	15	12	
		Flat	352	127	57	32	20	14	10	8	6	

To calculate the light output data for the long life GLA 575W lamp please multiply the above GLC 575W figures by x0.86.

For Lux please multiply Fc by 10.7

## Physical data

**Weight:** 34lb 13oz

**Carton size:** 25 1/2" x 15 3/4" x 10 5/8"

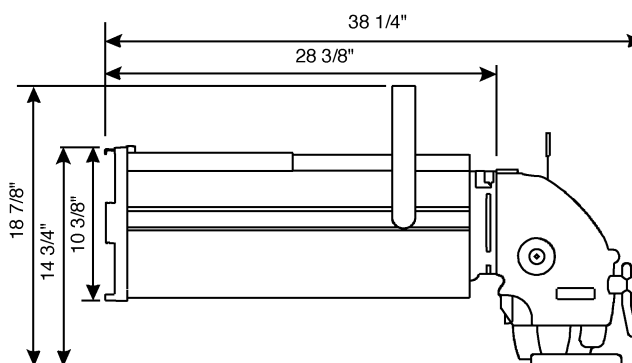
**Color frame size:** 9 9/16" x 9 9/16"

**Gobo size:** B, 2 1/2" diameter image

**Gobo holder width:** 4 3/4"

**AC supply cable:** 36"

**Included:** 1x color frame, 1x safety cable, 1x C-clamp, 1x heat sink guard and instruction sheet.



### North America

10911 Petal Street  
Dallas, Texas 75238  
Tel: +1 214 647 7880  
Fax: +1 214 647 8030

267 5th Ave, 4th Floor  
New York, NY 10016  
Tel: +1 212 213 8219  
Fax: +1 212 532 2593

### New Zealand

19-21 Kawana Street  
Northcote, Auckland 0627  
Tel: +64 9 481 0100  
Fax: +64 9 481 0101

### Hong Kong

Room 6-10  
20/F Delta House  
3 On Yiu Street  
Shatin, N.T.  
Tel: +852 2757 3033  
Fax: +852 2757 1767

### European Service & Distribution Centre

Marssteden 152  
Enschede 7547 TD  
the Netherlands  
Tel: +31 53 450 0424  
Fax: +31 53 450 0425

063010NA

© Philips Group 2010

All rights reserved. The Company reserves the right to make any variation in design or construction to the equipment described. E&OE

**PHILIPS**  
**Selecon**