

Pacific 7.5°-19° Zoomspot

A base down axial ellipsoidal delivering a “cool” beam of crisp “white” light with little or no distortion, ideal for gobo projection and precise beam shaping.

The active heat management system delivers longer life for filters and shutters as well as lower energy consumption.

The Pacific range is constructed from aluminium pressure die-castings and injection moulded Fortron plastic components.



Features

- Compact 7.5°-19° luminaire less than 1 metre long
- Cool light ‘white’ light. Over 80% of the heat is removed from the light beam by cold mirror and dissipated through the heatsink
- Base down lamp mounted axially in the reflector to maximise light collection
- Choice of 600w, 800w, 1000w or 150w MH or MSR 575w lamp modules (each supplied with 1m mains cable)
- Accurate, simple & cool to use, lamp peak/flat adjustment
- Two gobo/iris mounting positions
- Independent rotating gate assembly
- Constructed from aluminium pressure die-castings and injection moulded Fortron plastic component
- Automatic disconnection of power on removal of lamp module

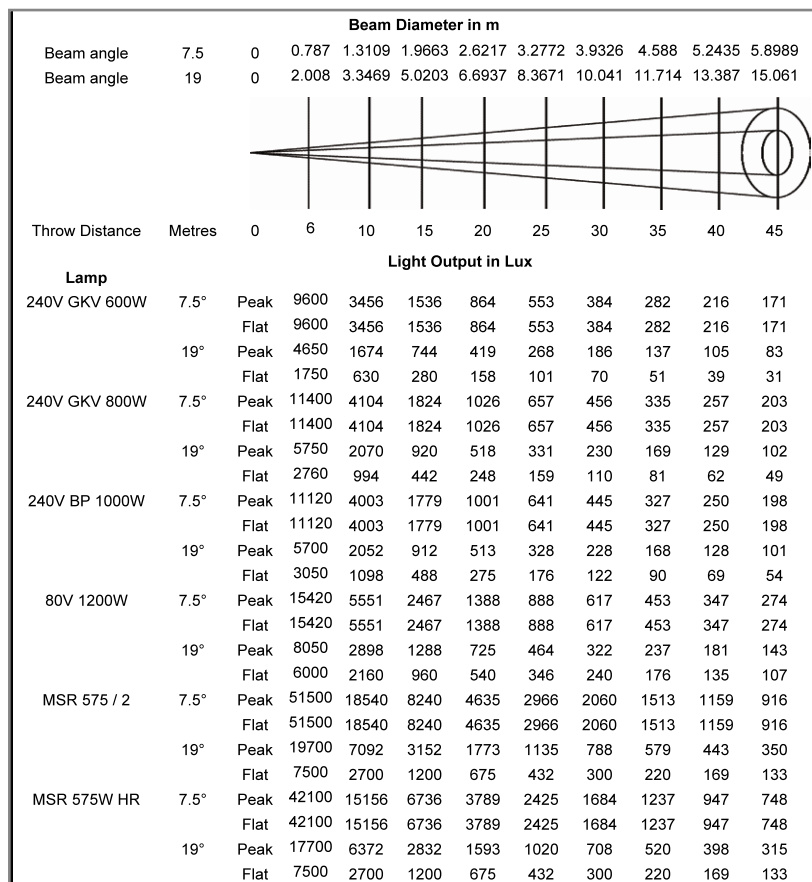
PHILIPS
Selecon

SPECIFICATION SUBMITTAL

CONSULTANT <input type="text"/>	PROJECT NAME: <input type="text"/>	MODEL NUMBER QUANTITY: <input type="text"/> <input type="text"/> <input type="text"/> <input type="text"/> <input type="text"/> <input type="text"/>
DATE: <input type="text"/>	PROJECT NUMBER: <input type="text"/>	APPROVED BY: <input type="text"/>

Photometric Data

Tests conducted using standard 230V production lamps manufactured by Philips.



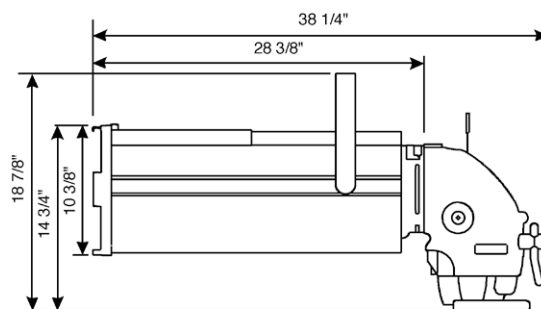
Lamps: 230V

GKV600w	15,000 lumens	300 hours average life
GLB600w	13,000 lumens	1500 hours average life
800w	22,000 lumens	400 hours average life
GAD1000wBP	25,000 lumens	250 hours average life
GAB1000w		
BP 230V	25,000 lumens	250 hours average life

Approvals CE marked

Physical Data

Weight:	16.7kg
Colour frame size:	245mm square
Gobo size:	B, 65mm diameter image
Included:	1x colour frame, 1x fitted safety bond, 1x heatsink guard, 1x suspension bolt set & instruction leaflet



Ordering Information

Cat No Description

18PAC719/6	Pacific 7.5-19 Zoomspot, 600w, 800w	19PACGHB	Pacific gobo holder, B size
18PAC719/1	Pacific 7.5-19 Zoomspot, 1000w	20IRIS	Pacific iris
18PACMSR719HR	Pacific 7.5-19 Zoomspot, HR 575W MSR lamp module	20SM20	Lens safety mesh
18PACCDM719	Pacific 7.5-19 Zoomspot, CDM 150W/70W lamp module	20HC	Suspension hook clamp

Philips Selecon

Los Angeles

6603 Darin Way
Cypress, CA 90630
Tel: (714) 230-8200
Fax: (714) 899-0042

New York

267 5th Ave, 4th Floor
New York, NY 10016
Tel: (212) 213-8219
Fax: (212) 532-2593

Dallas

10911 Petal Street
Dallas, TX 75238
Tel: (214) 647-7880
Fax: (214) 647-8030

www.seleconlight.com

© Philips Group 2009
All rights reserved.
The Company reserves the right to make any variation in design or construction to the equipment described. E&OE

Auckland

19-21 Kawana Street
Northcote, Auckland 0627
New Zealand
Tel: + 64 9 481 0100
Fax: + 64 9 481 0101

Asia

Room 6-10,
20/F Delta House
3 On Yiu Street
Shatin, N.T. Hong Kong
Tel: + 852-2757-3033
Fax: + 852-2757-1767

Europe

European Service & Distribution Centre
Marssteden 152
Enschede 7547 TD
The Netherlands
Tel: +31-53-4500424
Fax: +31-53-4500425