

Rama 6 Inch 7°-50° Fresnel



The Rama 6" Fresnel (750W / 1000W, 6" lens) provides an adjustable cone of light that has a soft edge, easily blended with adjacent beams to provide even illumination.

Features

Adjustable yoke balance point.

'Swing-down' door for easy access to lamp or cleaning.

Smooth 'posi-slide' focus system, no metal to metal contact.

Constructed of aluminum extrusion and molded engineering plastics.

Cooler operation due to use of engineering plastics on front (color frame mount) and rear of fixture.

Heat-insulated rear grab-handle which doubles as handy storage for the 3-foot fixture supply cable.

Tilt and focus scale is in real degrees allowing for accurate WSIYWYG implementation.

Permanently attached integrated safety cable ensures that this important safety requirement is always on hand.

Integral micro-switch provides automatic disconnection of power to the fixture when opening to relamp, preventing a student or technician inserting a lamp into an electrically live fixture.

Three year warranty.

Lamps: 120V and 115V

Lamp Socket: P28

500W BTL 120V 500hrs average life

575W BTH 115V

15,500 lumens 300hrs average life

750W BTN 120V

17,500 lumens 500hrs average life

1000W BTR 120V

27,000 lumens 250hrs average life

Lamp Socket: G22

1000W EGT 120V 240hrs average life

Ordering information

16RAFR6	Rama 6" Fresnel – P28 lamp socket, black
16RAFR150G22	Rama 6" Fresnel - G22 lamp socket, black
20BDSF12	Barndoor (fits 6 or 7 Inch fixture), 4 way, black
20BDSF128	Barndoor (fits 6 or 7 Inch fixture), 8 way, black
20CFSF12	Spare color frame
20SM6	Lens safety mesh
USCLAMP	Spare US theatrical C-clamp

For connector options please specify the following suffixes when ordering:

- GR NEMA 5-15P Grounded Edison
- GP 20A Stage Pin Plug
- GTL NEMA L5-20P Twist-Lock

Approvals

UL 1573 and CSA C22.2 No. 166-M1983 listed.

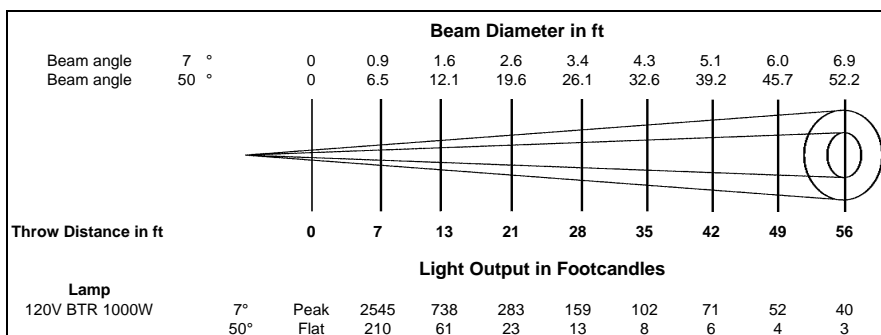
SPECIFICATION SUBMITTAL

CONSULTANT: <input type="text"/>	PROJECT NAME: <input type="text"/>	MODEL NUMBER QUANTITY: <input type="text"/> <input type="text"/> <input type="text"/> <input type="text"/> <input type="text"/> <input type="text"/> <input type="text"/> <input type="text"/>
DATE: <input type="text"/>	PROJECT NUMBER: <input type="text"/>	APPROVED BY: <input type="text"/>

Photometric data

Tests conducted using standard lamps.

Spot 7° 165,600 cd Flood 50° 17,640 cd
Field: 14° 61°



For Lux please multiply Fc by 10.7

Physical data

Weight: 11lb 10oz

Packed weight: 13lb 10oz

Color frame size: 7 3/8" x 7 1/2"

AC supply cable: 36"

Fixture with integrated safety cable supplied with: 1x color frame, 1x C-clamp and instruction sheet.

North America

10911 Petal Street
Dallas, Texas 75238
Tel: +1 214 647 7880
Fax: +1 214 647 8030

267 5th Ave, 4th Floor
New York, NY 10016
Tel: +1 212 213 8219
Fax: +1 212 532 2593

New Zealand

19-21 Kawana Street
Northcote, Auckland 0627
Tel: +64 9 481 0100
Fax: +64 9 481 0101

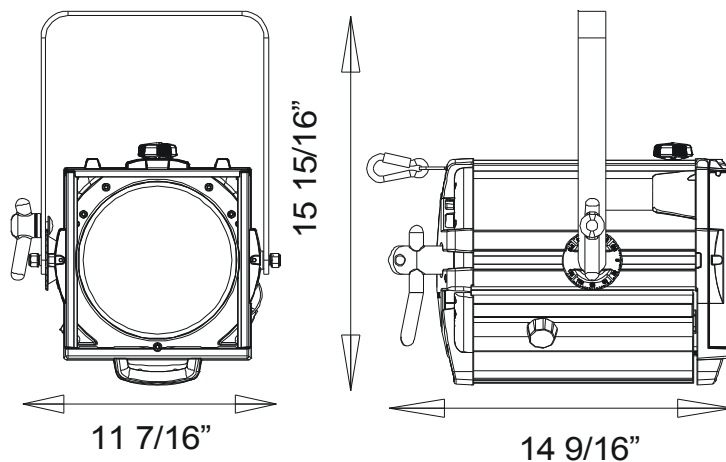
Hong Kong

Room 6-10
20/F Delta House
3 On Yiu Street
Shatin, N.T.
Tel: +852 2757 3033
Fax: +852 2757 1767

European Service & Distribution Centre

Marssteden 152
Enschede 7547 TD
the Netherlands
Tel: +31 53 450 0424
Fax: +31 53 450 0425

091410NA



© Philips Group 2010

All rights reserved.

The Company reserves the right to make any variation in design or construction to the equipment described.
E&OE

PHILIPS
Selecon