

Rama 6 Inch 5°-60° PC



The Rama 6" PC (750W / 1000W, 6" lens) provides an adjustable cone of light that has a soft edge, easily blended with adjacent beams to provide even illumination.

Features

Adjustable yoke balance point.

'Swing-down' door for easy access to lamp or cleaning. Smooth 'posi-slide' focus system, no metal to metal contact.

Constructed of aluminum extrusion and molded engineering plastics.

Cooler operation due to use of engineering plastics on front (color frame mount) and rear of fixture.

Heat-insulated rear grab-handle which doubles as handy storage for the 3-foot fixture supply cable.

Tilt and focus scale is in real degrees allowing for accurate WSIWYG implementation.

Permanently attached integrated safety cable ensures that this important safety requirement is always on hand.

Integral micro-switch provides automatic disconnection of power to the fixture when opening to relamp, preventing a student or technician inserting a lamp into an electrically live fixture.

Three year warranty.

Lamps: 120V and 115V

Lamp Socket: P28
500W BTL 120V 500hrs average life

575W BTH 115V
15,500 lumens 300hrs average life

750W BTN 120V
17,500 lumens 500hrs average life

1000W BTR 120V
27,000 lumens 250hrs average life

Lamp Socket: G22
1000W EGT 120V 240hrs average life

Ordering information

| | |
|---------------------|---|
| 16RAPC6 | Rama 6 Inch PC, P 28 lamp socket, black |
| 16RAPC150G22 | Rama 6 Inch PC - G22 lamp socket, black |
| 20BDSF12 | Barndoor (fits 6 or 7 Inch fixture), 4 way, black |
| 20BDSF128 | Barndoor (fits 6 or 7 Inch fixture), 8 way, black |
| 20CFSF12 | Spare color frame |
| 20SM6 | Lens safety mesh |
| USCLAMP | Spare US theatrical C-clamp |

For connector options please specify the following suffixes when ordering:

- GR NEMA 5-15P Grounded Edison
- GP 20A Stage Pin Plug
- GTL NEMA L5-20P Twist-Lock

Approvals

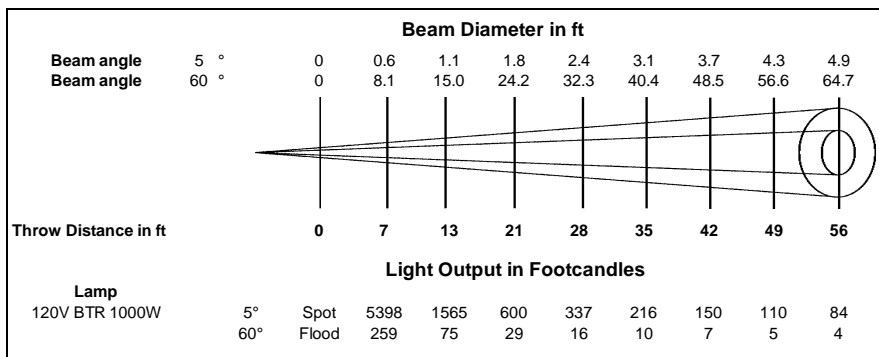
UL 1573 and CSA C22.2 No. 166-MI983 listed.

SPECIFICATION SUBMITTAL

| | | |
|-------------------------------------|---|---|
| CONSULTANT: <input type="text"/> | PROJECT NAME: <input type="text"/> | MODEL NUMBER QUANTITY: <input type="text"/> <input type="text"/> <input type="text"/> <input type="text"/> <input type="text"/> <input type="text"/> |
| DATE: <input type="text"/> | PROJECT NUMBER: <input type="text"/> | APPROVED BY: <input type="text"/> |

Photometric data

Tests conducted using a standard BTR, 1000W, 120V lamp.
 Spot 5° 306,600 cd Flood 60° 15,840 cd



For Lux please multiply Fc by 10.7

Physical data

Weight: 15lb 3oz

Packed weight: 17lb 3oz

Color frame size: 7 3/8" x 7 1/2"

AC supply cable: 36"

Fixture with integrated safety cable supplied with: 1x color frame, 1x C-clamp and instruction sheet.

North America

10911 Petal Street
 Dallas, Texas 75238
 Tel: +1 214 647 7880
 Fax: +1 214 647 8030

267 5th Ave, 4th Floor
 New York, NY 10016
 Tel: +1 212 213 8219
 Fax: +1 212 532 2593

New Zealand

19-21 Kawana Street
 Northcote, Auckland 0627
 Tel: +64 9 481 0100
 Fax: +64 9 481 0101

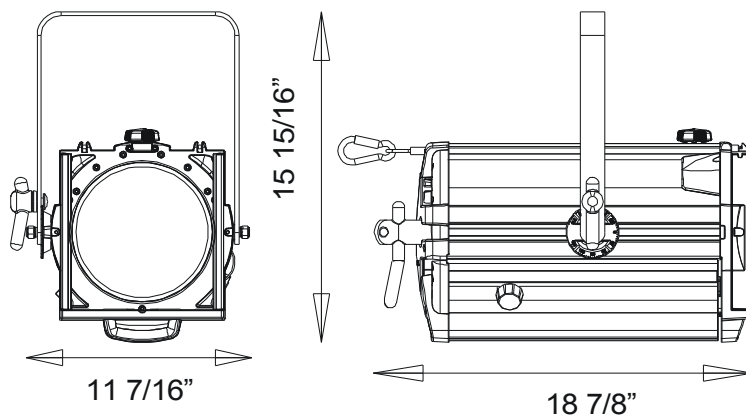
Hong Kong

Room 6-10
 20/F Delta House
 3 On Yiu Street
 Shatin, N.T.
 Tel: +852 2757 3033
 Fax: +852 2757 1767

European Service & Distribution Centre

Marssteden 152
 Enschede 7547 TD
 the Netherlands
 Tel: +31 53 450 0424
 Fax: +31 53 450 0425

091410NA



© Philips Group 2010

All rights reserved.

The Company reserves the right to make any variation in design or construction to the equipment described.
 E&OE

PHILIPS
Selecon