



Rua Medium Throw Followspot 9°– 16°

Utilizing the latest short arc lamp technology, a very efficient optical system Rua provides more than *double* the output delivered by conventional follow-spot designs. The Performer Series of Followspots define a new standard of performance, ergonomics and operator comfort. Simple to operate using the full length side and rear guide handles, adjustable fixture balance and Selecon’s unique clutch cone tilt and pan system.

Operator comfort is assured by the ergonomic control suite and exhaust system which removes the lamp heat away from the operator.

Features

- Light output is over double that of similar wattage lamps with excellent even beam quality, adjustable to peak distribution as required. This unmatched performance is the result of utilizing the latest in short-arc technology, Selecon’s light collection expertise, and large multi-coated lenses
- The Strand Selecon Performer Series Followspots feature electronic flicker-free power supply (110V– 260V); six-color changer, single-slide zoom and soft/hard focus control all in one integrated fixture design
- Precision engineered pan/tilt cone system adjustable to suit operator’s preference
- Ergonomic control layout minimizes operator stress – comfortable and simple to operate
- Cool beam technology removes heat away from the operator while reducing stress on internal components
- Full suite of operator controls including – iris; mechanical dowser, CTO filter, diffusion frost, and two cutters
- Integrated 6-color changer
- Electronic variable light output, 60–100% to suit your show or application
- Integrated power supply, with elapsed hour meter
- Peak/flat beam light distribution control
- Gobo holder accessory



SPECIFICATION SUBMITTAL

CONSULTANT <input type="text"/>	PROJECT NAME: <input type="text"/>	MODEL NUMBER QUANTITY: <input type="text"/> <input type="text"/> <input type="text"/> <input type="text"/> <input type="text"/> <input type="text"/>
DATE: <input type="text"/>	PROJECT NUMBER: <input type="text"/>	APPROVED BY: <input type="text"/>

Rua Medium Throw Followspot 9°– 16°

Theatrical Luminaires

Photometric Data

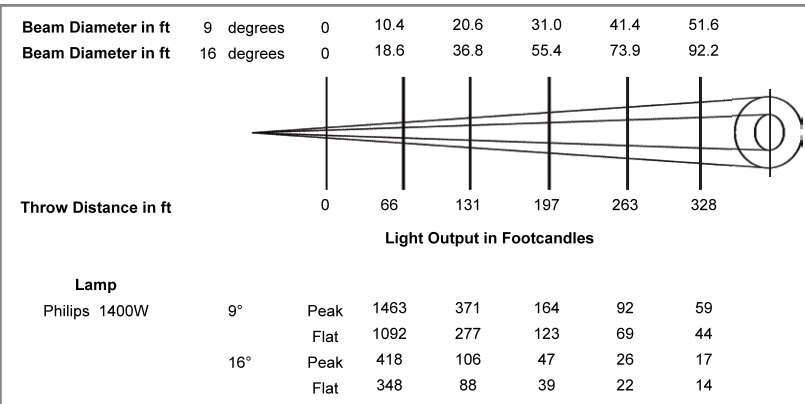
Tests conducted using the Philips 1400W lamp

Peak cd at 9° - 6,300,000

Peak cd at 16° - 1,800,000

100fc at 9° – 184ft

100fc at 16° – 112ft



Lamp: 110V-260V

MSRMINIQF

1400W Mini MSR Gold Lamp with Fast-Fit Base (Philips)

Power Supply:

Electronic, flicker free

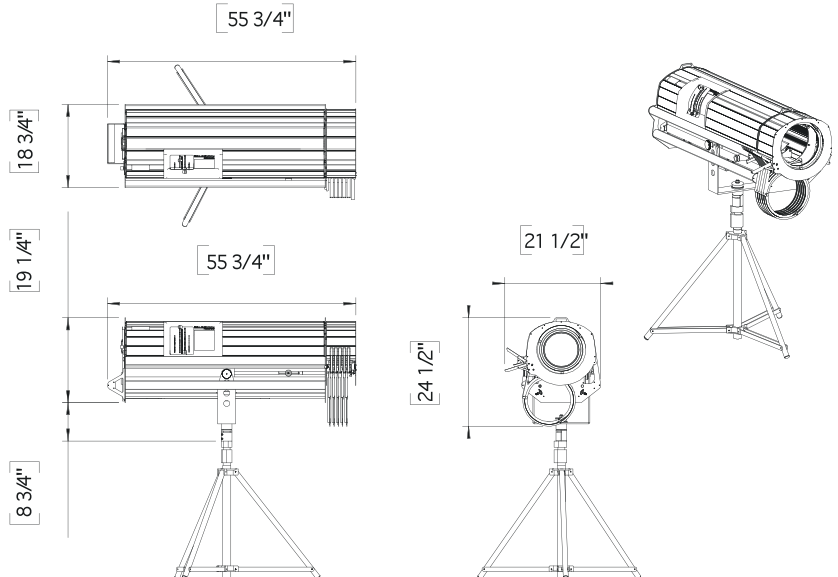
Input Voltage: 110V-260V. 47-63hz. 1400W.

Dimming Range: 60-100%

Power Factor: 0.98

Physical Data

Fixture Weight: 149.7 lb
(includes color changer, but not stand)



Ordering Information

Cat No Description

27FSRUA	Performer Series Rua Followspot supplied with winch-adjustable, tripod-based stand and lamp.	28FSPH	Gobo holder – B size
		28FSSTWHEELS	Set of 3 locking casters for Performer Series Followspots

Philips Strand Selecon Lighting

Los Angeles

6603 Darin Way
Cypress, CA 90630
Tel: (714) 230-8200
Fax: (714) 899-0042

New York

267 5th Ave, 4th Floor
New York, NY 10016
Tel: (212) 213-8219
Fax: (212) 532-2593

Dallas

10911 Petal Street
Dallas, TX 75238
Tel: (214) 647-7880
Fax: (214) 647-8030

www.strandselecon.com

© Philips Group 2009
All rights reserved.
The Company reserves the right to make any variation in design or construction to the equipment described. E&OE

Auckland

19-21 Kawana Street
Northcote, Auckland 0627
New Zealand
Tel: + 64 9 481 0100
Fax: + 64 9 481 0101

Asia

Room 6-10,
20/F Delta House
3 On Yiu Street
Shatin, N.T. Hong Kong
Tel: + 852-2757-3033
Fax: + 852-2757-1767

Europe

Unit 2 Royce Road,
Fleming Way
Crawley,
West Sussex RH10 9JY
Tel: + 44 (0) 1293-554010
Fax: + 44 (0) 1293-554019

Europe

European Service & Distribution Centre
Marssteden 152
Enschede 7547 TD
the Netherlands
Tel: +31-53-4500424
Fax: +31-53-4500425

041509NA

PHILIPS
Strand • Selecon
LIGHTING