

# Product Specification Sheet

## Accent LED BeamSpot



**The Philips Selecon Accent LED Beamspot is a specialist lighting tool for display and commercial lighting applications. Utilising high quality fixed white LED sources, the luminaire provides excellent light control and features.**

With several accessories available, and a choice of beam angles and colour temperatures, the Accent LED retains the versatility that made the Aureol Beamspot a global industry standard for display lighting applications.

The Accent Beamspot delivers on Philips Selecon's brand promise for performance (efficient optical system), precision (accurate beam shaping, locking focus adjustments), and simplicity (intuitive operation).

### Features

Three fixed optical systems: 26°, 34°, and 42°.

High CRI fixed white delivers excellent colour rendering.

Hinged opening body for easy cleaning and tool free accessory mounting.

Superior glare control and no light spill.

Multiple accessory slots with safety retention system.

Engineered from aluminium pressure die castings and injected moulded engineering plastic.

Positive pan and tilt adjustment, with Allen key lock off.

Reference scales for pan/tilt adjustments.

Integrated accessory and filter mounting slots – to carry colour filter 50mm round, one of which can be up to 4mm thick, diffuser, anti-glare snoot, or barn-door.

Three year limited warranty.

### Colours



Black

White

White - PANTONE® 11-4800 - Blanc de Blanc.

### Mounting Options

Universal track three circuit track adapter.

Ceiling mount plate, ridged 80mm diameter x 20mm deep.

1.0m cable tail from top of yoke mount spindle. Half coupler for 48/51mm OD pipe.



Ceiling rose mount



Track adapter



Half Coupler

### Control Options

-Local Dimming – non dimmed mains supply.  
-Dali Dimming – non dimmed mains supply.

Dimming performance of LED Sources can vary greatly on different dimming systems. 100% compatibility cannot be guaranteed.

**Wattage / Power Supply**  
13W / 220-240V

**Colour Temperature / Life<sup>1</sup>**  
Choice of 2700K, 3000K, or 4000K / 50,000hrs

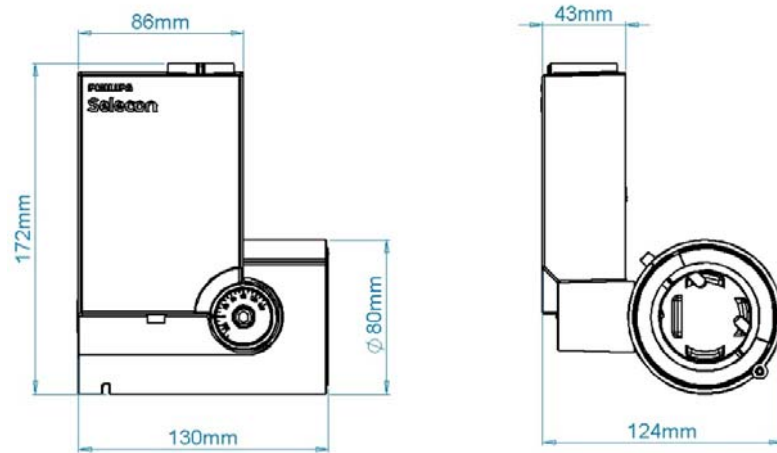
**CRI<sup>2</sup> / Colour Consistency**  
95 typical, Within 2-Step MacAdam Ellipse

### Approvals



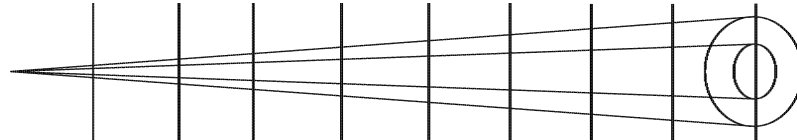
## Physical Data

Weight: 1.1kg



## Performance Data

### ACCENT 26°



METRES	3	4	5	6	7	8	9	10
<b>Central illumination in Lux</b>								
26°	318	179	114	80	58	45	35	28

3000K version

## Accessories

**Barndoor** ARLBD\*\*\*\*

**Snoot** ARLSN\*\*\*\*

\*\*\*\*01 for White, 03 for Black, 0103 for Black/White

<b>Glass lenses</b>	SAADGCP	Diffuser Glass Cross Prismatic
	SAADGFS	Diffuser Glass Frosted
	SAADGID	Diffuser Glass Industrex
	SAADGL	Diffuser Glass Skytex Linear
	SAADGO	Diffuser Glass Obscure
	SAADGSB	Diffuser Glass Sandblasted
	SAADGSS	Diffuser Glass Solite Soft
	RDFUV	Dichroic UV Filter

---

## Order Codes

2 – 2700K

3 – 3000K

4 – 4000K

2 – 26 Degree

3 - 34 Degree

4 – 42 Degree

LD – Local Dim – non-dimmed mains input

DD – Dali Dim – non-dimmed mains input *(not available with Ceiling Rose, Half Coupler, or Flex mount)*

H – 50mm Halfcoupler and 1.0m cable

C – Ceiling Rose

G – Global track adaptor – standard option for track mount. Dali or local control

T – Eutrack adaptor – non-standard option for track mount. Dali or local control.

E – eDali Track adaptor – custom adaptor for three circuit track – for installations using Dali on standard track. Please contact your sales representative.

01 – White

03 – Black

P – Aust / NZ plug

---

Family Name	Light Source	Colour Temp	Beam Angle	Control Option	Mounting Option	Paint Finish	Aust/NZ Plug
ACNT	LED	2	2	MD	H	01	P
		3	3	LD	C	03	
		4	4	DD	T		
					G		
					E		
					F		

---

IE: ACNTLED34DDG01 = Accent LED 3000K 42° Spot, Dali Dimming, Global Tack Adaptor , White Finish

1. Based on LED Manufacturers IES LM-80-2008
2. LED manufacturer tolerance of +2 on CRI measurements

Philips Selecon reserves the right to change this product specification without notice (October 2015).