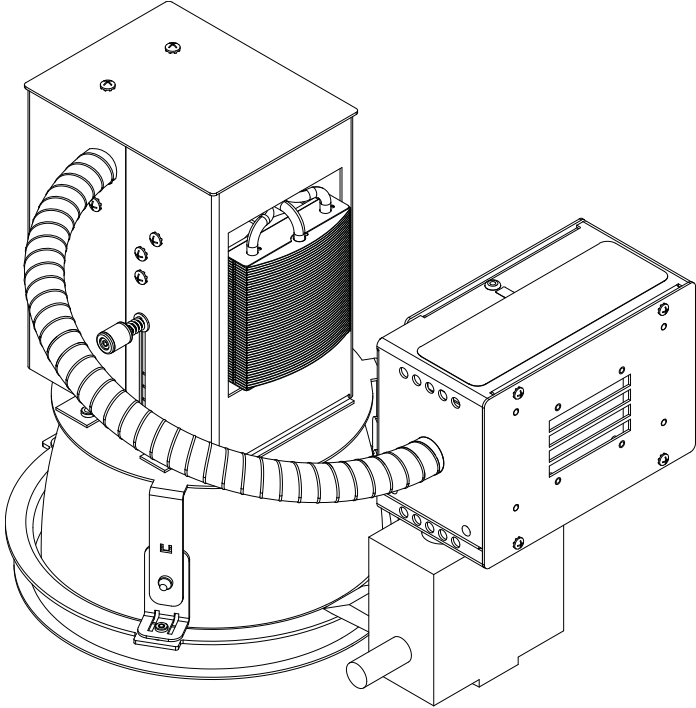




PL House Light MKII LED Luminaire

Drawing on proven technology and user input, Philips Selecon offers the next generation of its LED house light - the PL House Light MKII LED Luminaire. This unit offers an RGBW LED rated at 50,000 hours; making it the perfect replacement for 300 and 500 watt halogen house lights. With the PL House Light MKII LED Luminaire, the worry of replacing lamps is gone.

Being an RGBW LED luminaire that is controllable via DMX and RDM, the PL House Light MKII Luminaire complements the overall lighting design of a production giving designers the control and flexibility to immerse the audience in color.



PL House Light MKII LED Luminaire

Features

- Fully tunable high output RGBW LED light engine supporting color temperatures from 2300K to 9970K and full color mixing with a maximum output similar to that of higher wattage metal halide luminaires
- High CRI is maintained down to very low light levels (>50 Lux) as the integral dimmer (0 to 100%) reduces intensity with minimal color shift maintaining the selected color balance
- Quick selection of Warm White, Cool White and Daylight color presets simplifies matching existing light sources
- Adjustable 20° to 45° beam spread
- LED light engine is comprised of a single chip with RGBW LEDs
- Full color mixing for creative flexibility in lighting your display - PL House Light MKII LED luminaire features a complete color gamut with precise color mixing controls
- No ultra-violet (wavelengths of less than 400nm) - for UV - A, B or C or the Infrared spectrum (wavelengths of more than 775nm) are emitted by PL House Light MKII LED luminaires
- On-board LCD display and menu system for easy setup and control
- Universal input voltage from 100 to 240VAC. The unit only draws a maximum of 140 Watts at full RGBW
- Electronic power supply; cETLus listed and CE, C-Tick, and RoHS compliant



SPECIFICATION SUBMITTAL

CONSULTANT: <input type="text"/>	PROJECT NAME: <input type="text"/>	MODEL NUMBER QUANTITY: <input type="text"/> <input type="text"/> <input type="text"/> <input type="text"/> <input type="text"/> <input type="text"/>
DATE: <input type="text"/>	PROJECT NUMBER: <input type="text"/>	APPROVED BY: <input type="text"/>



Photometrics (*Feet / Foot Candles*)

45° Beam Spread (Lens Tube at #1)

Beam Diameter	7.3	10.9	14.5	18.1	21.8
Throw Distance	10	15	20	25	30
Central Illumination	Foot Candles				
Warm White (3,200K)	42	18.7	10.5	6.7	4.7
Cool White (4,000K)	50	22.2	12.5	8.0	5.6
Day Light (5,600K)	53	23.6	13.3	8.5	5.9

34° Beam Spread (Lens Tube at #5~#6)

Beam Diameter	6.3	9.4	12.5	15.6	18.8	21.9	25.0
Throw Distance	10	15	20	25	30	35	40
Central Illumination	Foot Candles						
Warm White (3,200K)	93	41.3	23.3	14.9	10.3	7.6	5.8
Cool White (4,000K)	110	48.9	27.5	17.6	12.2	9.0	6.9
Day Light (5,600K)	121	53.8	30.3	19.4	13.4	9.9	7.6

20° Beam Spread (Lens Tube at #10)

Beam Diameter	3.7	5.5	7.3	9.2	11.0	12.8	14.7	16.5	18.3
Throw Distance	10	15	20	25	30	35	40	45	50
Central Illumination	Foot Candles								
Warm White (3,200K)	235	104.4	58.8	37.6	26.1	19.2	14.7	11.6	9.4
Cool White (4,000K)	284	126.2	71.0	45.4	31.6	23.2	17.8	14.0	11.4
Day Light (5,600K)	306	136.0	76.5	49.0	34.0	25.0	19.1	15.1	12.2



Photometrics (*Meters / Lux*)

45° Beam Spread (Lens Tube at #1)

Beam Diameter	2.2	3.3	4.4	5.5	6.6
Throw Distance	3.1	4.6	6.1	7.6	9.1
Central Illumination	Lux				
Warm White (3,200K)	452	201	113	72	50
Cool White (4,000K)	538	239	135	86	60
Day Light (5,600K)	570	254	143	91	63

34° Beam Spread (Lens Tube at #5~#6)

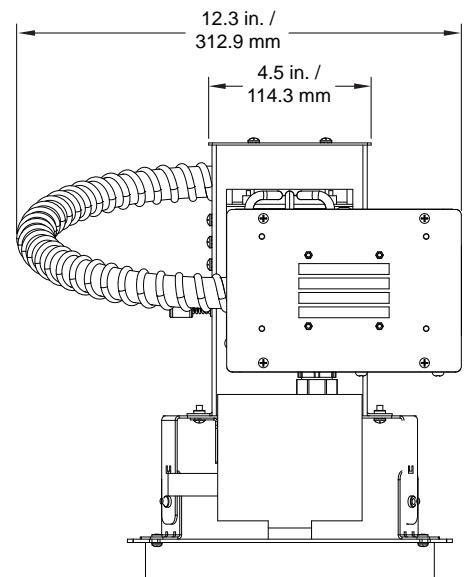
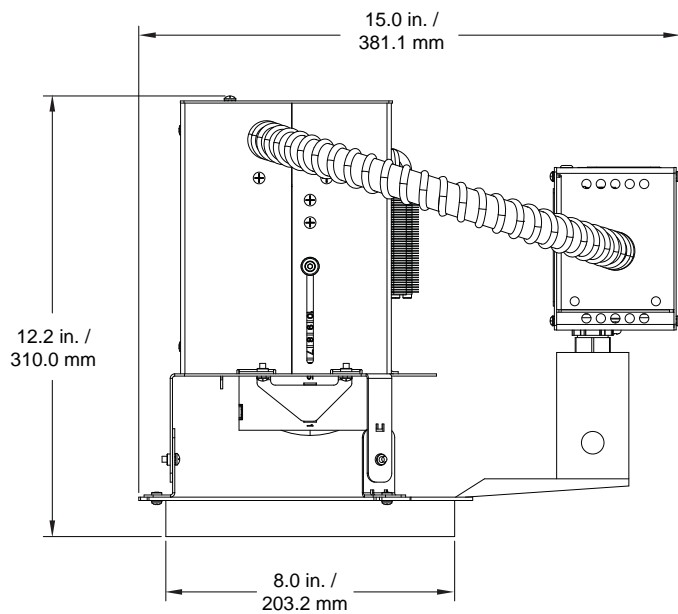
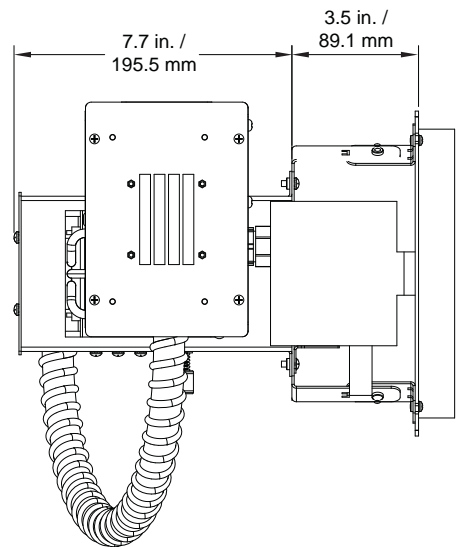
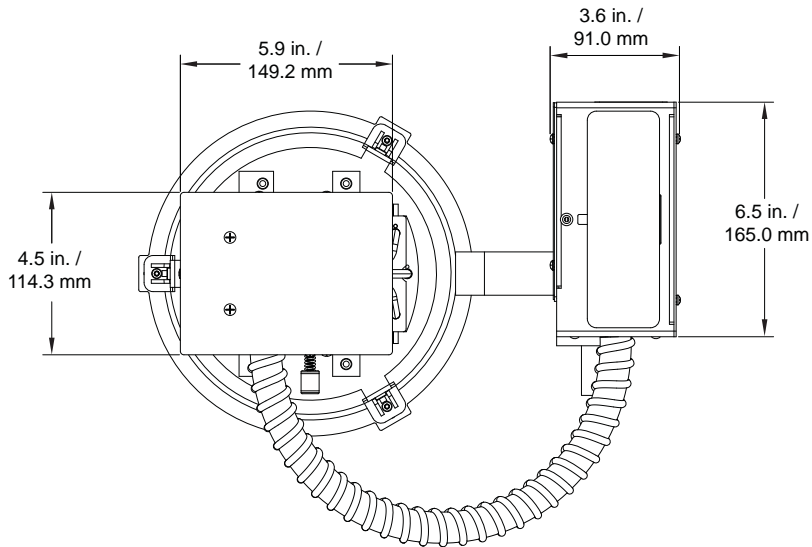
Beam Diameter	1.9	2.9	3.8	4.8	5.7	6.7	7.6
Throw Distance	3.1	4.6	6.1	7.6	9.1	10.7	12.2
Central Illumination	Lux						
Warm White (3,200K)	1001	445	250	160	111	82	63
Cool White (4,000K)	1184	526	296	189	132	97	74
Day Light (5,600K)	1302	579	326	208	145	106	81

20° Beam Spread (Lens Tube at #10)

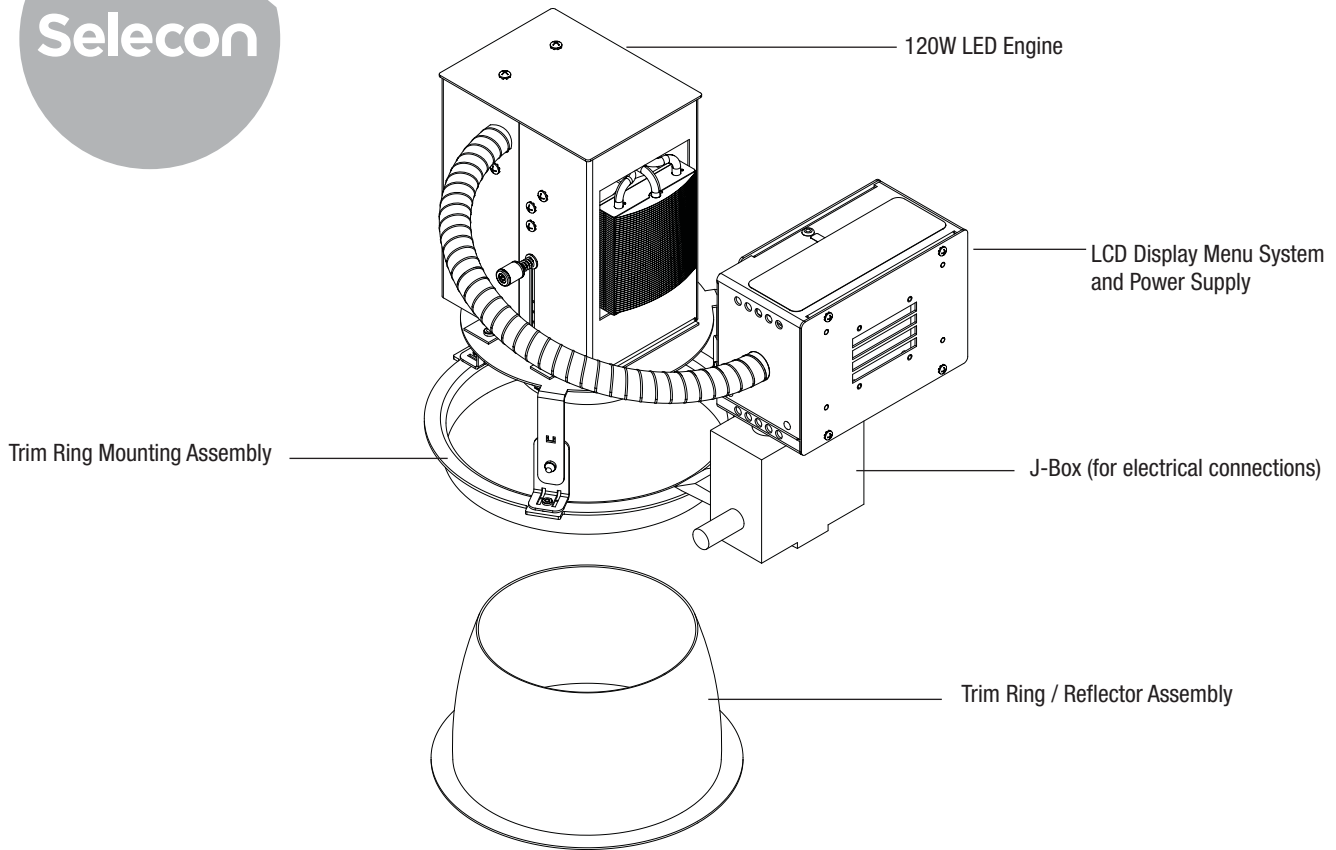
Beam Diameter	1.1	1.7	2.2	2.8	3.4	3.9	4.5	5.0	5.6
Throw Distance	3.1	4.6	6.1	7.6	9.1	10.7	12.2	13.7	15.2
Central Illumination	Lux								
Warm White (3,200K)	2530	1124	632	405	281	206	158	125	101
Cool White (4,000K)	3057	1359	764	489	340	250	191	151	122
Day Light (5,600K)	3294	1464	823	527	366	269	206	163	132



Dimensions



Note: Power interconnect cable, between J-Box and luminaire assembly removed for clarity.



Technical Specifications

Electrical Specifications		Environmental Specifications	
Source:	True RGBW 120W LED chip	Ambient Temperature:	0° to 40°C (32° to 104°F)
Output:	> 2,000 lumens (white light)	IP Rating:	IP20 Indoor Use Only (NON-IC Rated)*
Operating Voltages:	100 to 240 Volts AC	Compliance:	cETLus Listed, CE and C-Tick Marked
Frequency:	50/60 Hz		
Power Draw:	140 Watts (max)		
Quiescent Load:	7.3 Watts	<i>Notes:</i>	
Ambient Temperature:	0° to 40°C	(A) *The PL House Light MKII LED Luminaires is NON-IC (NON Insulated Contact) Rated fixture. If insulation is present in an application where this fixture is used, a minimum 6-inches of clearance should exist on all sides of the fixture, and no insulation may be present across the top of the installed fixture.	
Control:	On-board menu / DMX512	(B) Up to eight (8) PL House Light MKII LED Luminaires can be daisy-chained on a single circuit. DO not overload circuits!	
DMX512 Channels:	15 Channels (16-Bit Mode) 9 Channels (8-Bit Mode) 5 Channels (5-Channel Mode)		
Mechanical Specifications			
Construction:	Die cast aluminum and molded engineering grade plastic components		
Lenses:	Precision coated aspheric lenses		
Beam Spread:	20° to 45°		



PL House Light MKII LED Engine

PL House Light’s powerful LED engine offers exceptional performance and life. Under normal operating conditions our LED engine has a life expectancy in excess of 50,000 hours, however under worst case operating conditions with the luminaire set to continuous full output it is possible that a small percentage of LED’s may require replacement sooner. The Philips Selecon three-year limited warranty includes our guarantee against premature failure of the LED engine.



Ordering Information

Cat No. Description

<p>PL House Light MKII LED Luminaire (Universal Voltage 100 - 240VAC)</p>		<p>Accessories - Sloped Ceiling Adapters</p>	
<p>PLHLBMKII</p>	<p>PL House Light MKII LED Luminaire, Black Reflector</p>	<p>PLHLSA5</p>	<p>PL House Light LED Luminaire 5° Slope Adapter (Philips Lightolier# 7926-MC)</p>
<p>Included items: QuickStart Guide. Ceiling mounting adapters by others.</p>		<p>PLHLSA10</p>	<p>PL House Light LED Luminaire 10° Slope Adapter (Philips Lightolier# 7926-MD)</p>
<p>Accessories - Luminaire DMX Cables</p>		<p>PLHLSA15</p>	<p>PL House Light LED Luminaire 15° Slope Adapter (Philips Lightolier# 7926-ME)</p>
<p>PL1DMXFRJ45</p>	<p>DMX512 cable XLR5 Female to RJ45 12 in. / 305 mm White</p>	<p>PLHLSA20</p>	<p>PL House Light LED Luminaire 20° Slope Adapter (Philips Lightolier# 7926-MF)</p>
<p>PL1DMXFRJ46</p>	<p>DMX512 cable XLR5 Female to RJ45 12 in. / 305 mm Black</p>	<p>PLHLSA25</p>	<p>PL House Light LED Luminaire 25° Slope Adapter (Philips Lightolier# 7926-MG)</p>
<p>PL1DMXMRJ47</p>	<p>DMX512 cable XLR5 Male to RJ45 12 in. / 305 mm White</p>	<p>PLHLSA30</p>	<p>PL House Light LED Luminaire 30° Slope Adapter (Philips Lightolier# 7926-MH)</p>
<p>PL1DMXMRJ48</p>	<p>DMX512 cable XLR5 Male to RJ45 12 in. / 305 mm Black</p>		

Philips Selecon

Dallas
 10911 Petal Street
 Dallas, TX 75238
 Tel: +1 (214) 647-7880
 Fax: +1 (214) 647-8031

Auckland
 19-21 Kawana Street
 Northcote, Auckland 0627
 New Zealand
 Tel: + 64 9 481 0100
 Fax: + 64 9 481 0101

www.seleconlight.com
 © Philips Group 2016
 All rights reserved.
 The Company reserves the right to make any variation in design, construction or descriptions contained herein, of the equipment, at any time without prior notice. E&OE

Asia
 Unit C, 14/F,
 Roxy Industrial Centre
 No. 41-49 Kwai Cheong Road
 Kwai Chung, N.T., Hong Kong
 Tel: +852 2796 9786
 Fax: +852 2798 6545

Europe
 European Service & Distribution Centre
 Rondweg zuid 85
 Winterswijk 7102 JD
 the Netherlands
 Tel: +31 (0) 543-542516

