

400F TV Fresnel Tungsten

▶ Photometric Data

Color Temperature: 3200K

TLCI: 97

CRI: 98 .max

Fan mode: Silent

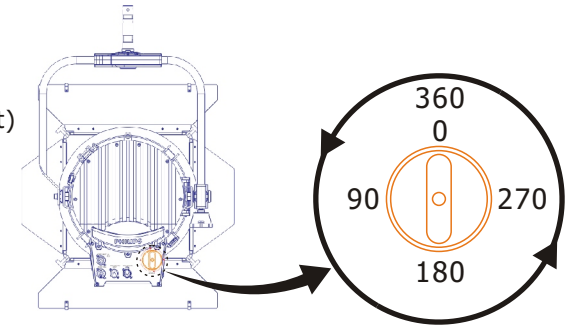
Dimming Curve: S-curve

Ta: 25 °C

ZOOM Range: 12-45 deg(4 & 1/2 Turns)

12 deg zoom out (anti-clockwise to zoom out)

45 deg zoom in (clockwise to zoom in)



Illuminance

Distances	3m/9.8ft	5m/16.4ft	7m/23.0ft	9m/29.6ft	11m/36.2ft	Distances	3m/9.8ft	5m/16.4ft	7m/23.0ft	9m/29.6ft	11m/36.2ft
Center Beam	23190lx	8300lx	4259lx	2576lx	1724lx	Center Beam	4500lx	1620lx	827lx	500lx	334lx
CCT	3189K	3189K	3189K	3189K	3189K	CCT	3245K	3245K	3245K	3245K	3245K
Center Beam	16934lx	6096lx	3110lx	1881lx	1259lx	Center Beam	2833lx	1020lx	520lx	315lx	211lx
CCT	3263K	3263K	3263K	3263K	3263K	CCT	3213K	3213K	3213K	3213K	3213K
Center Beam	8304lx	2989lx	1525lx	922lx	617lx	Center Beam	2539lx	914lx	466lx	282lx	189lx
CCT	3277K	3277K	3277K	3277K	3277K	CCT	3209K	3209K	3209K	3209K	3209K

**All rights reserved, any of improvement made values changed on this table are without prior notice.