



500ML LIGHTING CONTROL CONSOLE



Building on our range of lighting control consoles, the new 500ML console from Strand Lighting is designed to operate dimmers, LED fixtures and moving lights.

The 8-inch TFT color touchscreen allows for fast set up. Backlit command buttons aid in the ease of use making the 500ML console an ideal control platform solution. If required, the unit has one external DVI port to add a touch monitor to give even more control.

In addition to the 500ML console's 4 universes with a total of 2048 channels, it provides 24 faders. Each may be used as a Master, Sub Master, or Playback. Equipped with backlit Play, Pause/Reverse, and Bump buttons they allow cue stacks to be triggered as required for those busking "moments".

Using industry standard methods of control, the user interface is quick to understand, allowing the operation to appeal both to the casual and professional operator alike.

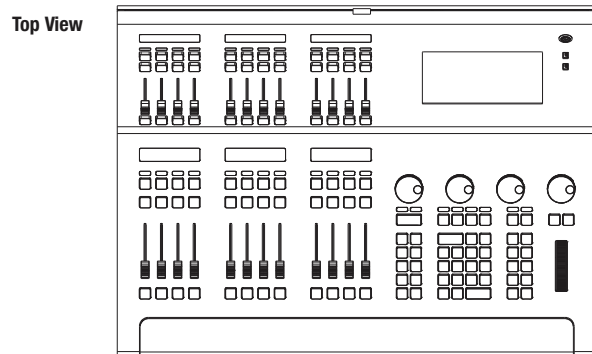
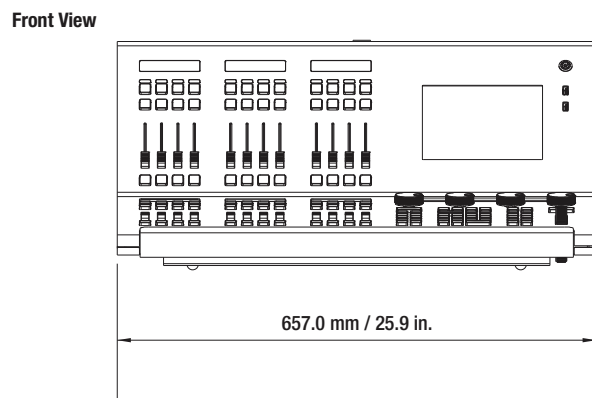
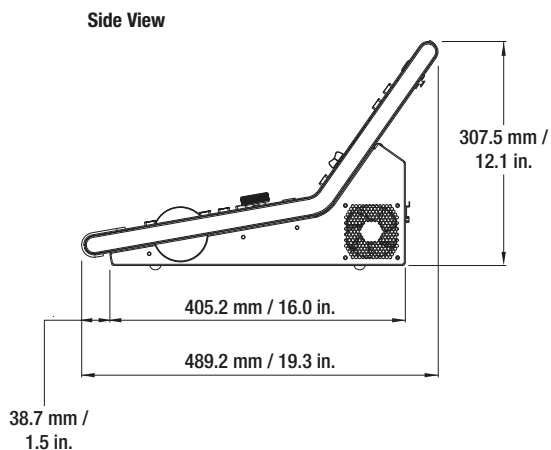
With a robust construction, the 500ML console provides you with a smart way to create and play back great lighting for all your important events.



500ML LIGHTING CONTROL CONSOLE

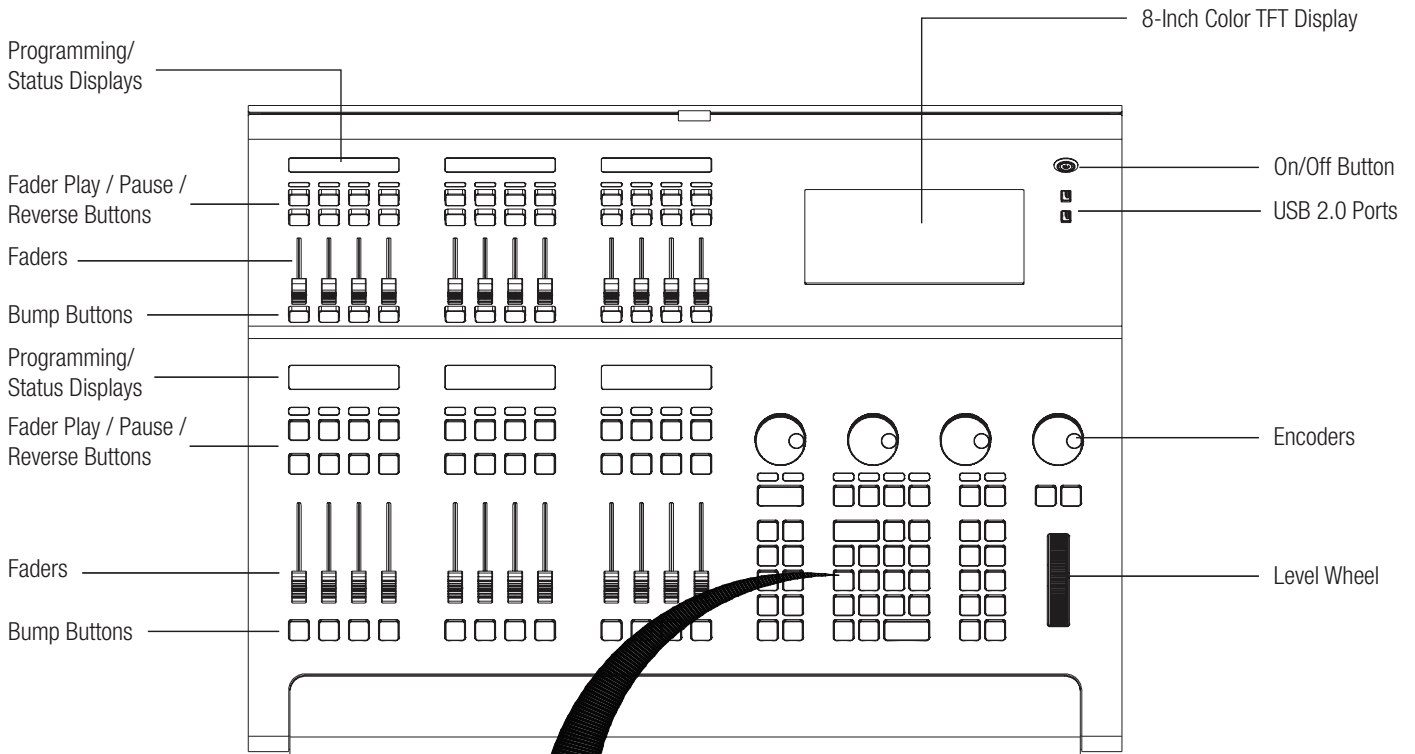
FEATURES - 200 PLUS 12/24 CONSOLE

- 4 Universes, 2,048 DMX Channels
- 8-Inch (800 x 600 pixels) TFT Color Touch Screen
- 4 DMX Out Ports
- 119 Backlit Keys / 4 Rotary Encoders / 24 Faders / 1 Level Wheel
- LCD Fader Bank Information Screens
- Supports Up To 500 Cue Lists of 500 Cues
- Faders can be either Submasters, Playbacks, or Effects
- DMX512A
- MIDI In/Out/Thru
- RJ45 Network Port (ArtNET / ShowNet)
- DVI External Monitor Output
- 3 USB Ports (2 front, 1 rear)
- Supports 3-Pin XLR Desk Lamps
- CE marked (Power Supply is ETL/UL)

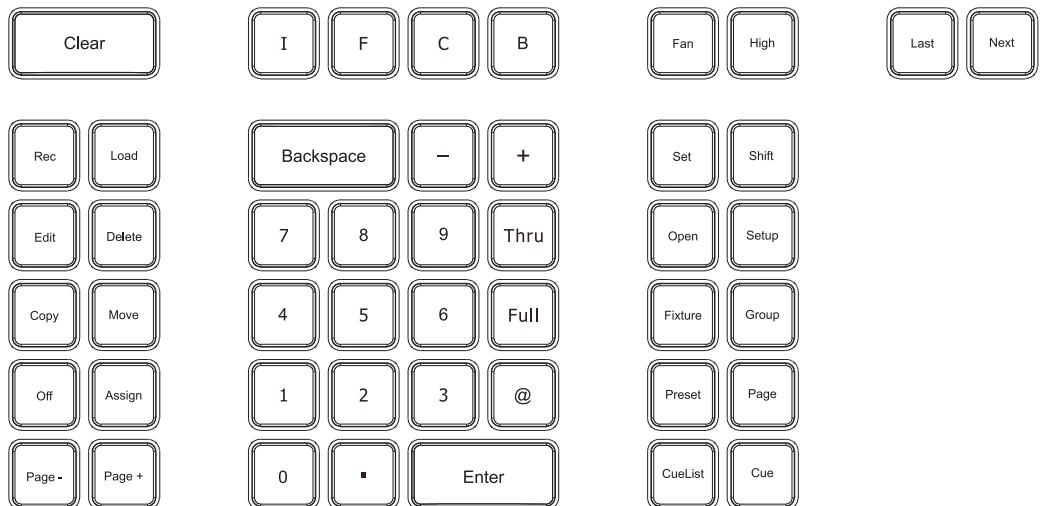




500ML LIGHTING CONTROL CONSOLE



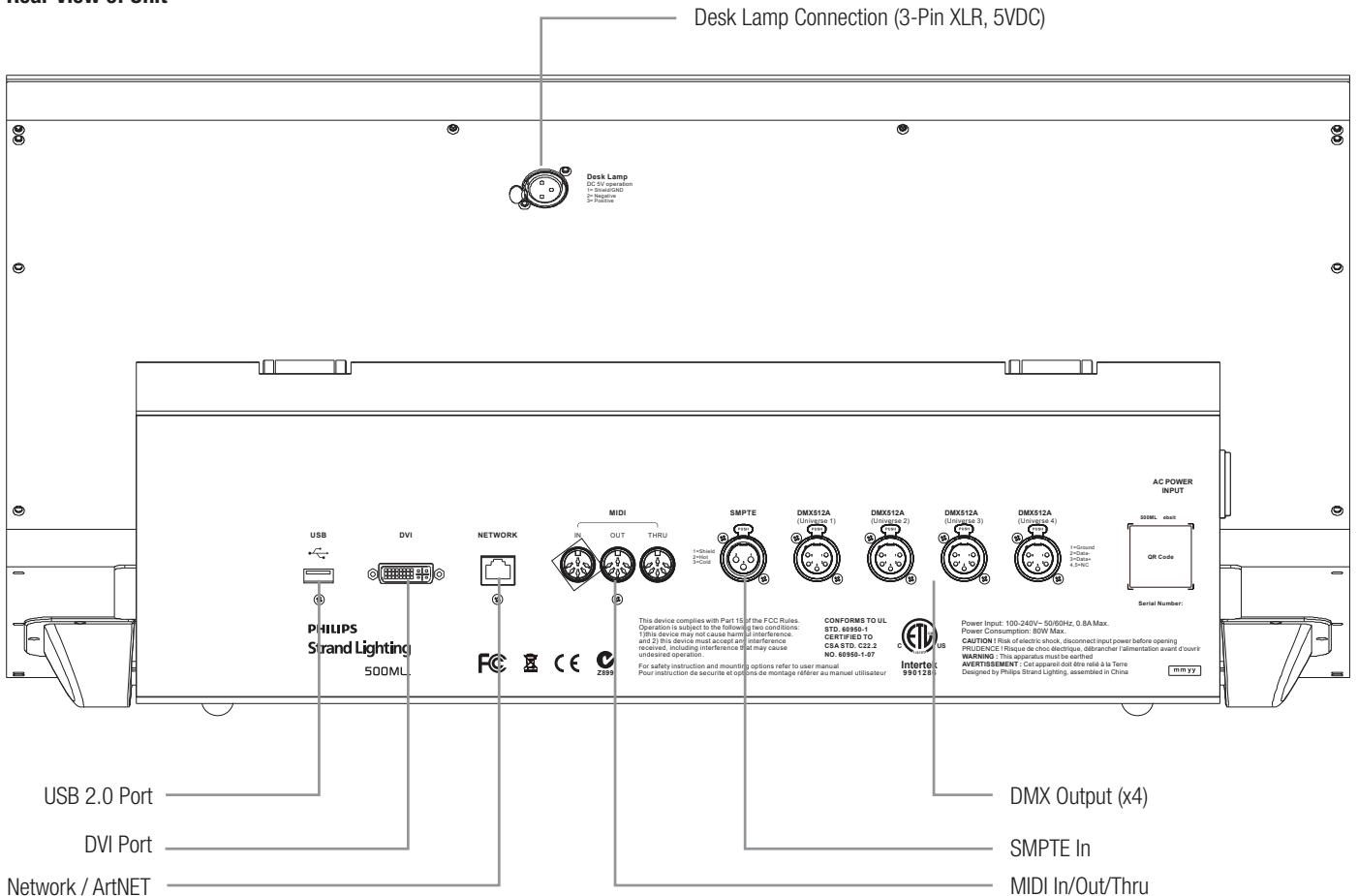
Backlit Command / Programming Keys





500ML LIGHTING CONTROL CONSOLE

Rear View of Unit





500ML LIGHTING CONTROL CONSOLE

POWER

Operating voltage 100-240V

CONNECTIVITY

Ethernet (RJ45) port 1 (ArtNET / ShowNet)

USB 2.0 front 2 (Library Storage - USB key sold separately)

USB 2.0 rear 1 (Touch Screen Connection - touch screen not included)

DVI (HD) monitor 1 Output (monitor not included)

DMX512A (XLR5F) 4 Out

MIDI 3 (1 each - In / Out / Thru)

DMX512A CONTROL & CHANNELS

DMX channels 2,048, 4 universes

Fixtures 500

Groups 500

Presets 500

Cuelists 500 (each with up to 500 Cues in total)

PHYSICALS

Finish Black

Construction Rigid folded sheet steel and flame retardant ABS controls

ENVIRONMENT

°C

°F

Ambient temperature 0-40

32-104

Humidity 0% - 95% non-condensing

DIMENSIONS

mm

in

L x W x H 657.0 x 489.2 x 307.5

25.9 x 19.3 x 12.1

WEIGHT

kg

lb

Console only 20.5

45.1

WARRANTY & APPROBATIONS

Warranty 2 years

Approvals / Listings CE marked, ETL listed with cULus listed power supply, C-Tick



500ML LIGHTING CONTROL CONSOLE

| PRODUCT NAME | ORDER CODE |
|---|--------------|
| 500ML Lighting Control Console includes: Console includes console dust cover, AC power input cables, USB Key Drive, LED desk lamp, and quick start guide. External monitor not included. | 65354 |
| PERIPHERAL EQUIPMENT - CABLES | |
| DMX512 Control Cable 25' (A5F to A5M) | 95090 |
| Ethernet cable 10' 10/100BaseT (RJ45) | 96456 |
| Ethernet cable 25' 10/100BaseT (RJ45) | 96459 |
| ACCESSORIES | |
| USB Key Drive | 67528 |
| 21-Inch Touch Screen Monitor | 91021 |

© 2018 Signify Holding. All rights reserved.

All trademarks are owned by Signify Holding or their respective owners. The information provided herein is subject to change, without notice. Signify does not give any representation or warranty as to the accuracy or completeness of the information included herein and shall not be liable for any action in reliance thereon. The information presented in this document is not intended as any commercial offer and does not form part of any quotation or contract, unless otherwise agreed by Signify. Data subject to change.

Ref: 65354-100-00