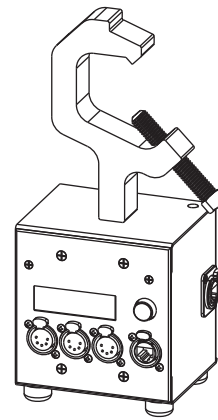


DMX512 Networking Nodes

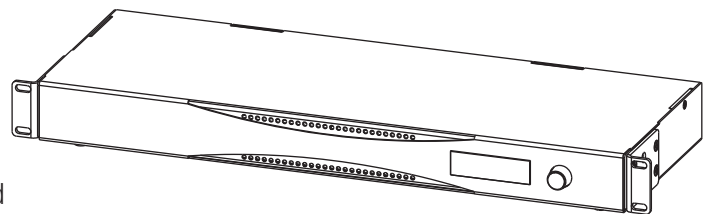
Strand Lighting is proud to introduce the next generation of DMX512 networking nodes. Following on the heels of the N21 ShowNet nodes, the DMX512 Networking nodes expand the formats supported to include sACN, Art-Net, RDM, ShowNet, Vision.net and more.

Compact and flexible, these networking nodes provide cost-effective network connectivity for facilities of all sizes. Each node can be dynamically configured for input or output operation or Vision.net bridging. Node status, Node ID, port identification, and configuration are available on the integral LCD display (three-port and eight-port models). The display features a full-range of menu options and the back light are user adjustable.

All Strand Lighting networking nodes feature advanced DMX512 patching, permitting any range of 512 numbers to be selected for each DMX512 port. Priority patching with up to three levels of priority assignments is available.



Portable Network Node
(3-port node with backbox & c-clamp)



Rack Mount (1U) Network Node
(Available with either 5-pin Phoenix or 5-pin XLR connectors)

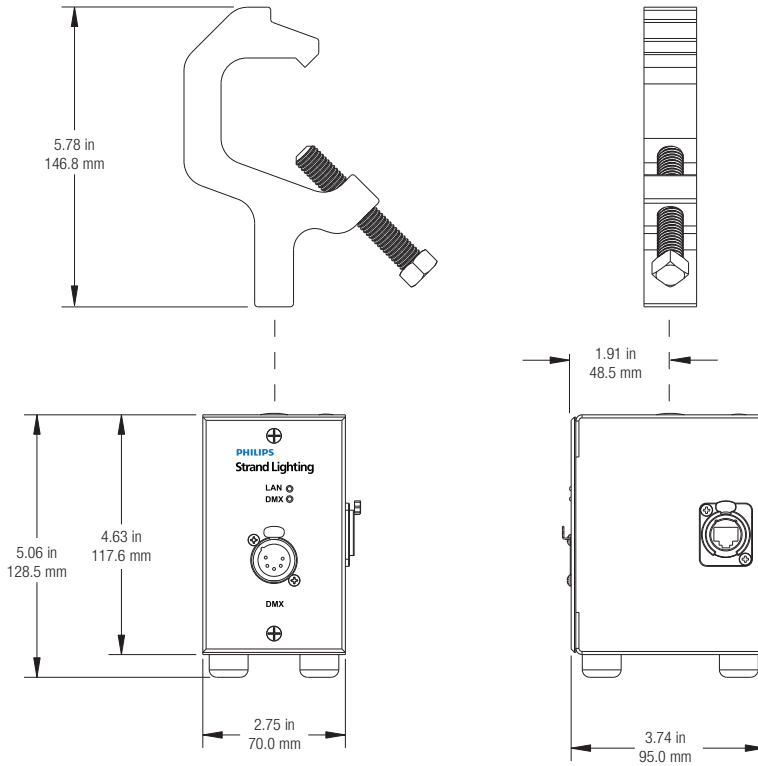
Features

- Compact and cost-effective DMX512 nodes
- Fast 40 Hz DMX512 update rate
- Ports may be custom configured with any 512 DMX512 addresses for complete system flexibility
- Ports may be configured to support Vision.net control - bridging to Vision.net areas
- 10/100BT Ethernet operation
- Three-port and eight-port nodes provide an integral LCD display provides node and port labeling, node status and configuration information
- Integral LCD display (three-port and eight-port models) is user adjustable for dark applications
- 1U rack mount nodes available with eight DMX512 ports - two models either 5-pin Phoenix or 5-pin XLR connectors
- Nodes are available in wall mount and 1U rack mount variants
- Single-port and three-port models include back box (for flush or surface mounting), rubber feet, and removable C-Clamp.
- Single-port node fits into standard single-gang box and three-port node fits standard two-gang back box
- Single-port and three-port nodes are fully compliant with IEEE802.3af power over Ethernet
- Compatible with ShowNet, sACN, Vision.net and Art-Net nodes and control systems

SPECIFICATION SUBMITTAL

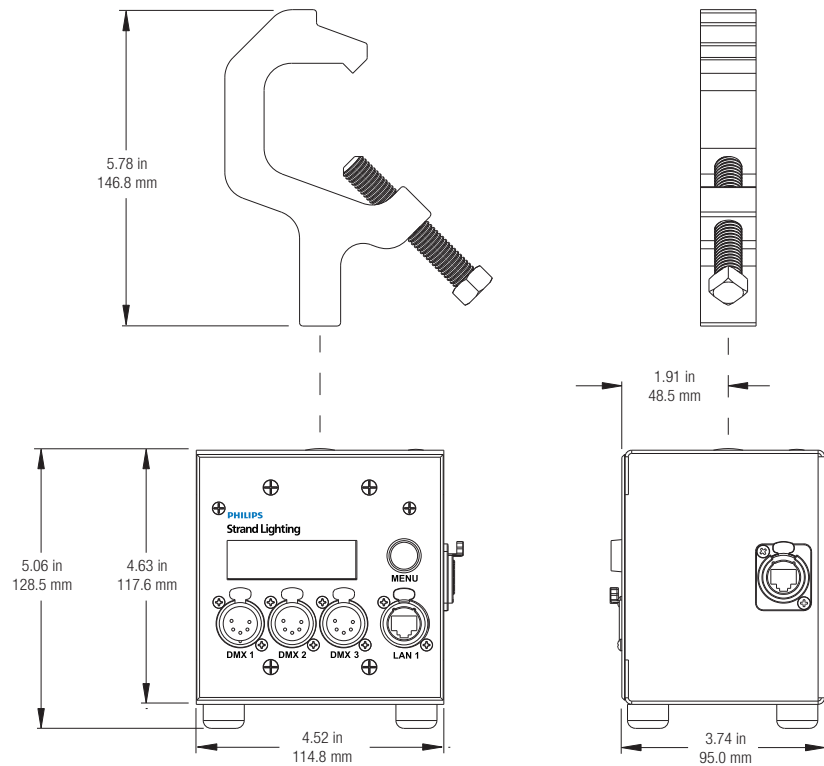
CONSULTANT: <input type="text"/>	PROJECT NAME: <input type="text"/>	MODEL NUMBER QUANTITY: <input type="text"/> <input type="text"/> <input type="text"/> <input type="text"/> <input type="text"/> <input type="text"/> <input type="text"/> <input type="text"/>
DATE: <input type="text"/>	PROJECT NUMBER: <input type="text"/>	APPROVED BY: <input type="text"/>

65161 Networking Node, 1-Port, POE, 1-gang. Shown with backbox, rubber feet and c-clamp.



Weights	
1-Port Node with Backbox	1.55 lbs / 0.70 kg
C-Clamp Only	0.95 lbs / 0.43 kg

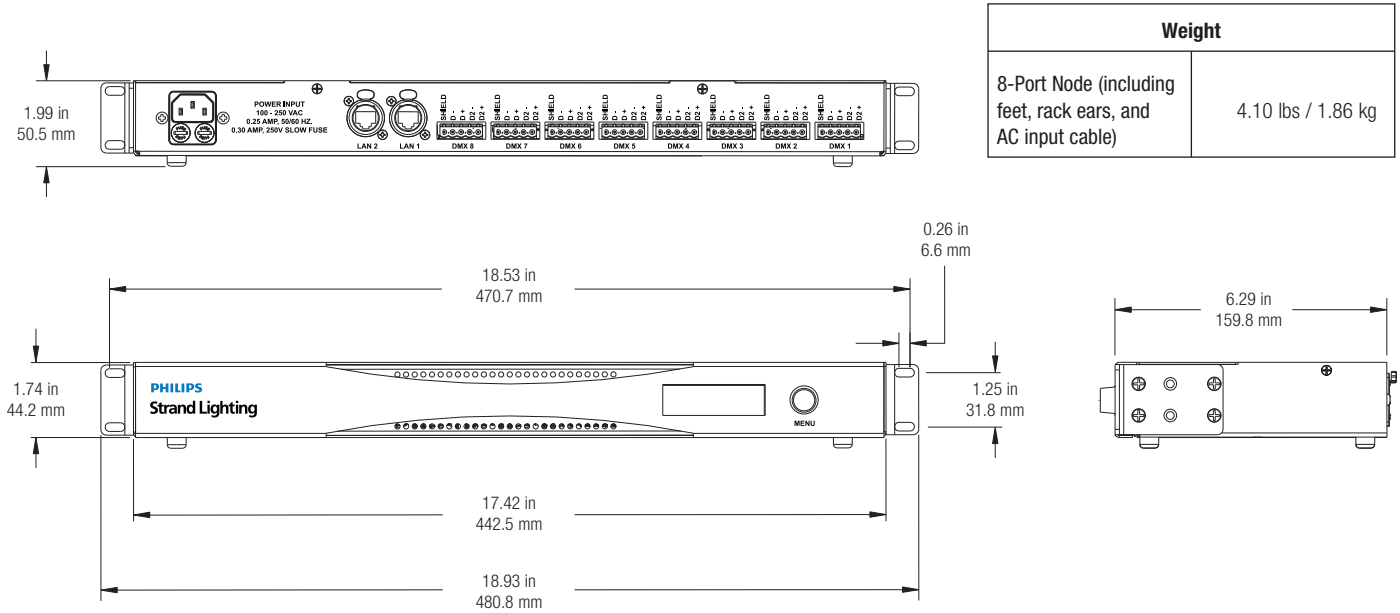
65163 Networking Node, 3-Port, POE, 2-gang. Shown with backbox, rubber feet and c-clamp.



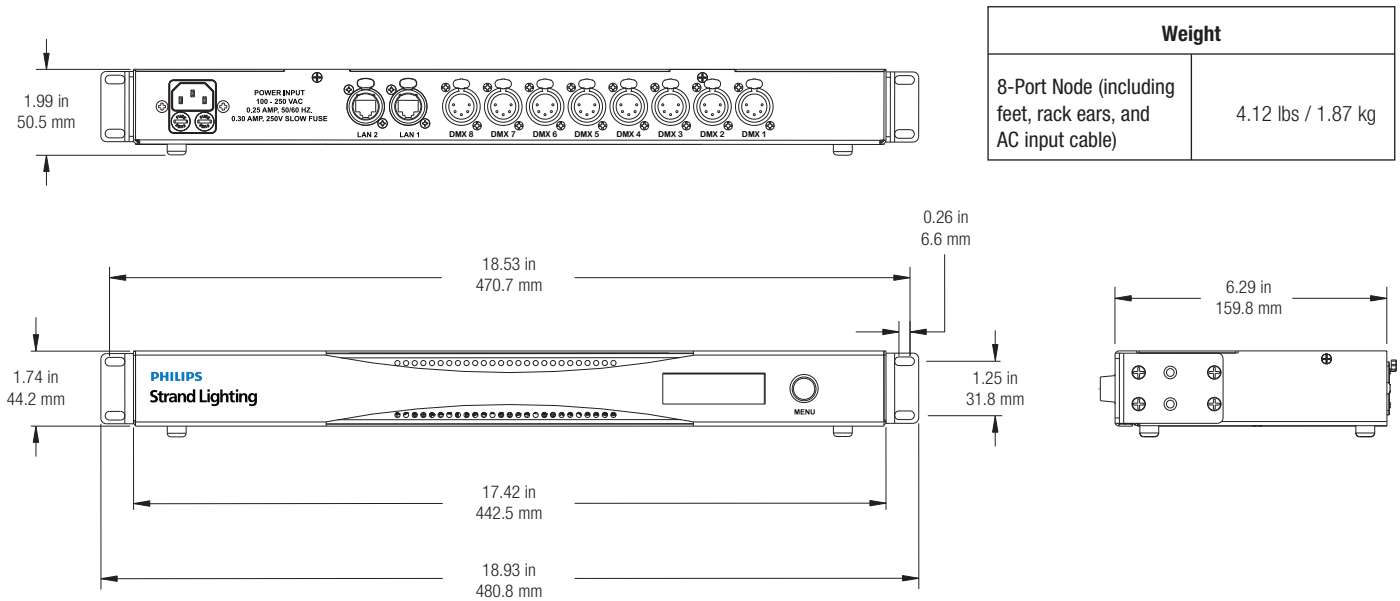
Weights	
3-Port Node with Backbox	1.90 lbs / 0.86 kg
C-Clamp Only	0.95 lbs / 0.43 kg

NOTES: Drawings are not to scale.

65168 Networking Node, 8-Port (Phoenix Connectors) POE, 1U Rack Height (with included removable rack ears and rubber feet)



65168-1 Networking Node, 8-Port (XLR Connectors) POE, 1U Rack Height (with included removable rack ears and rubber feet)



NOTE: Drawings are not to scale.

Simplified programming and configuration.

Using a user-friendly configuration program, Strand Net, routing DMX512 is very easy and the most powerful part of a Strand Lighting Ethernet network. Over 32,000 DMX512 addresses are supported on all Strand networks. Note, C21 is limited to 18,432 addresses.

**Technical Specifications****Connectivity**

65161 (1-Port):	DMX: 1 Each, 5-pin Female XLR
	Ethernet: 1 Each, RJ45
65163 (3-Port):	DMX: 3 Each, 5-pin Female XLR
	Ethernet: 2 Each, RJ45
65168 (8-Port):	DMX: 8 Each, 5-pin Phoenix
	Ethernet: 2 Each, RJ45
65168-1 (8-Port):	DMX: 8 Each, 5-pin Female XLR
	Ethernet: 2 Each, RJ45

Protocols: E1.31 Streaming ACN (sACN), Art-Net, ShowNet, RDM

Environmental Data

Operating Temperature: 32 to 104°F / 0 to 40°C
Storage Temperature: -40 to 158°F / -40 to 70°C
Humidity: 5% - 95% non-condensing

Electrical Data**Input Power:**

Wall Mount: IEEE 802.3AF Power over Ethernet on 1-port and 3-port models.

Rack Mount: 100-240VAC, Universal Voltage

Mechanical Data**Construction:**

Wall Mount: Steel faceplate, unit is designed to fit a standard deep masonry box

Rack Mount: Steel enclosure

Weight:

1-Port Model: Refer to Information on Page Two

3-Port Model: Refer to Information on Page Two

8-Port Models: Refer to Information on Page Three

Dimensions:

1-Port Model: Refer to Drawings on Page Two

3-Port Model: Refer to Drawings on Page Two

8-Port Models: Refer to Drawings on Page Three

Ordering Information

Cat No. Description



RoHs Compliant

DMX512 Networking Nodes

65161	Networking Node, 1-Port, POE, 1-gang <i>Includes 1-gang backbox with removable rubber feet, steel faceplate, removable C-Clamp, and quickstart guide.</i>	65168	Networking Node, 8-Port (Phoenix Connectors) 100-240VAC, 1U <i>Includes AC input cable, removable rubber feet, and removable rack ears, and quickstart guide.</i>
65163	Networking Node, 3-Port, POE, 2-gang <i>Includes 2-gang backbox with removable rubber feet, steel faceplate, removable C-Clamp, and quickstart guide.</i>	65168-1	Networking Node, 8-Port (XLR Connectors) 100-240VAC, 1U <i>Includes AC input cable, removable rubber feet, and removable rack ears, and quickstart guide.</i>
74261	Networking Node PCB, Dual Port (includes DMX B RJ45 port), For R21/A21/Contact Systems		

Strand Lighting**Dallas**

10911 Petal Street
 Dallas, TX 75238
 Tel: +1 (214) 647-7880
 Fax: +1 (214) 647-8031

Auckland

19-21 Kawana Street
 Northcote, Auckland 0627
 New Zealand
 Tel: + 64 9 481 0100
 Fax: + 64 9 481 0101

www.strandlighting.com

All rights reserved.
 The Company reserves the right to make any variation in design, construction or descriptions contained herein, of the equipment, at any time without prior notice. E&OE

Asia

Unit C, 14/F,
 Roxy Industrial Centre
 No. 41-49 Kwai Cheong Road
 Kwai Chung, N.T., Hong Kong
 Tel: +852 2796 9786
 Fax: +852 2798 6545

Europe

European Service & Distribution Centre
 Rondweg zuid 85
 Winterswijk 7102 JD
 the Netherlands
 Tel: +31 (0) 543-542516