

C21 & EC21 Dimming Racks Sound Suppression Device Install Guide



CAUTION!

Before attempting any electrical work, disconnect power at circuit breaker or remove fuse to avoid electrical shock or damage to the equipment. It is recommended that a qualified technician perform this installation.

C21 & EC21 Dimming Racks Sound Suppression Device Installation Instructions

Supplied Items:

Qty.	Description
1 EA	Sound Suppression Device (75520)
4 EA	Mounting Screws
4 EA	Mounting Nuts
8 EA	Mounting Washers
1 EA	Foam Block

Note: Read these instructions completely before attempting any work. If any items are missing, please contact Strand Lighting Technical Support at 1.214.647.7880 or 1.800.4.STRAND.

Required Hand Tools (not supplied by Philips Strand Lighting):

- #2 Phillips Head Screwdriver
- 5/16" Nut driver or Wrench

To install sound suppression device on outside of the dimmer rack door:

Step 1. At exterior side of dimmer rack door, as shown in **Figure 1**, locate four mounting holes in dimmer rack door to mount sound suppression device.

Step 2. Using supplied screws, washers, and nuts secure sound suppression device to dimmer rack door as illustrated in **Figure 1**. Before tightening, be sure to install all four mounting screws, washers, and nuts first.

NOTE: As shown in **Figure 1a**, on 24-module dimming racks, the sound suppression device is mounted slightly higher on the door.

Step 3. After installing all four mounting screws, washers and nuts position sound suppression device as shown.

Step 4. Hand tighten each top screw and then each bottom screw on each side of the device. **DO NOT OVER TIGHTEN SCREWS!**

- Continued on reverse side -

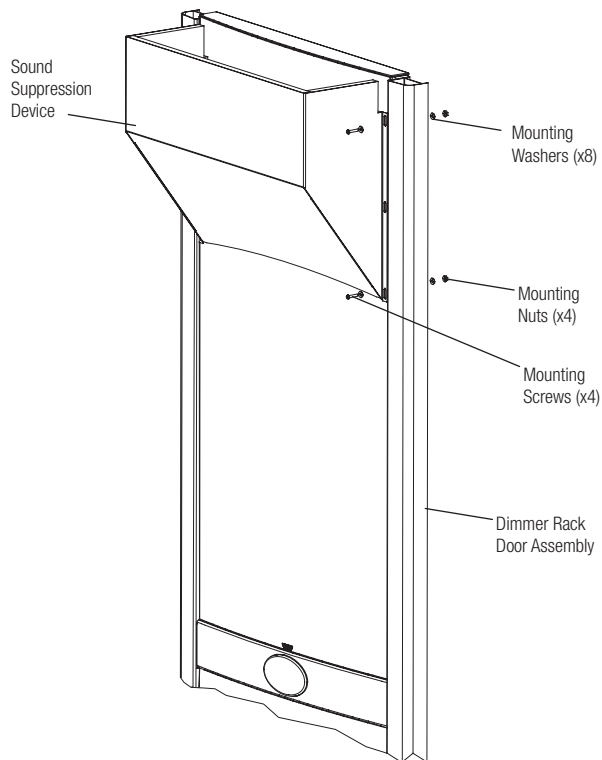


Figure 1: Sound Suppression Device Install (48-module dimming rack)

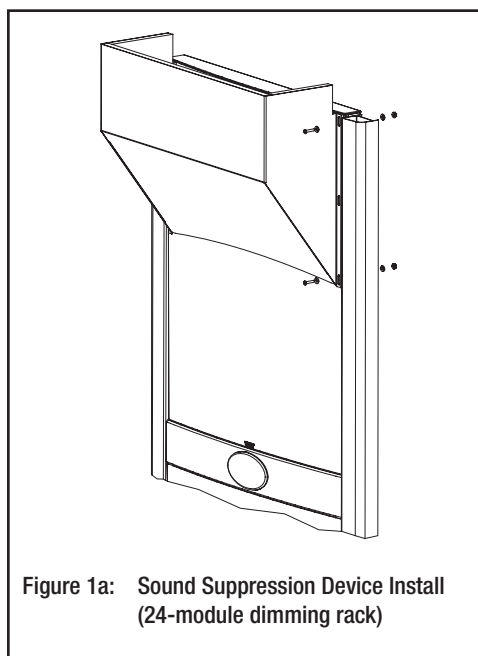


Figure 1a: Sound Suppression Device Install (24-module dimming rack)

C21 & EC21 Dimming Racks Sound Suppression Device Install Guide

C21 & EC21 Dimming Racks Sound Suppression Device Installation Instructions (continued)

- Step 5.** Remove protective backing from foam block.
- Step 6.** At inside of door, position foam block as shown in **Figure 2**. Block should be positioned in line with the lower portion of the sound suppression device.
- Step 7.** Firmly press foam block on to door.

Note: For complete installation details and instruction for this product, consult the Strand Lighting C21 or EC21 Installation Manuals.

Need help?

For technical assistance regarding this and all Strand Lighting products, please contact us at 1.214.647.7880 or 1.800.4.STRAND.

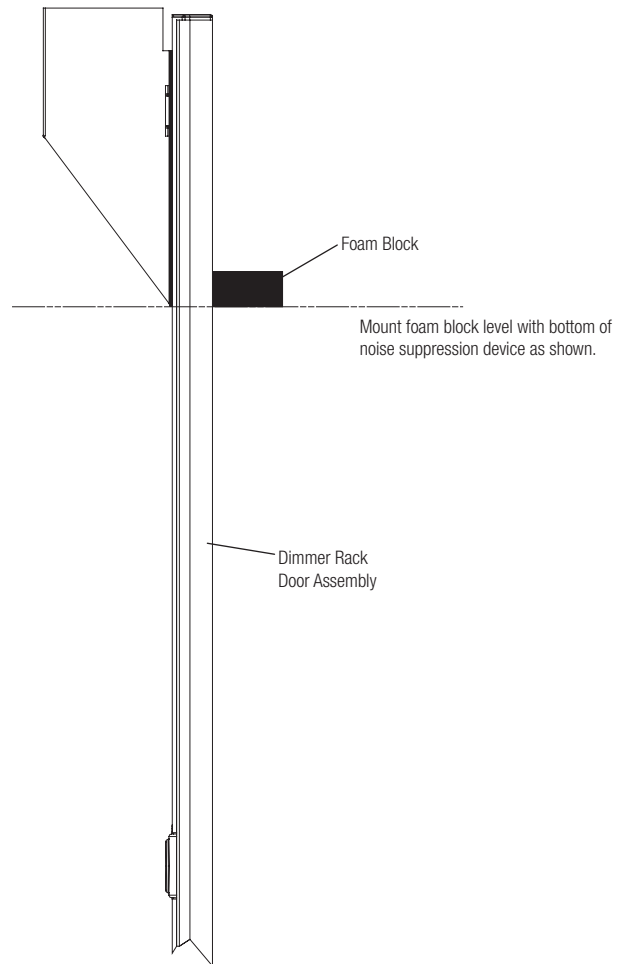


Figure 2 - Foam Block Install

Philips Strand Lighting

Dallas
10911 Petal Street
Dallas, TX 75238
Tel: (214) 647-7880
Fax: (214) 647-8030

New York
267 5th Ave, 4th Floor
New York, NY 10016
Tel: (212) 213-8219
Fax: (212) 532-2593

www.strandlighting.com
© Philips Group 2012
All rights reserved.
The Company reserves the right to make any variation in design or construction to the equipment described. E&OE

Auckland
19-21 Kawana Street
Northcote, Auckland 0627
New Zealand
Tel: + 64 9 481 0100
Fax: + 64 9 481 0101

Asia
Unit C, 14/F,
Roxy Industrial Centre
No. 41-49 Kwai Cheong Road
Kwai Chung, N.T., Hong Kong
Tel: + 852 2796 9786
Fax: + 852 2798 6545

Europe
European Service & Distribution Centre
Rondweg zuid 85
Winterswijk 7102 JD
the Netherlands
Tel: +31 (0) 543-542516