

Selecon

PLCYC1 MKII LED



A breakthrough in cyclorama lighting the PLCYC1 MKII LED Luminaire delivers smooth even cyclorama lighting in a compact light weight design. Using just 140 watts of power to illuminate drops up to 5 meters high each unit can replace the equivalent of a traditional 4 color 500 watt luminaire. A typical cyc can be powered from a single circuit using our convenient PowerCON cabling system for power along with standard DMX cables.

The PLCYC1 MKII LED Luminaire may be used for top or bottom lighting with units spaced on 1.2 meter - 4 foot centers for optimum performance and value.

Selecon

PLCYC1 MKII LED

FEATURES

- Delivers the performance of a 500 watt cyclight with a maximum power consumption of 140 watts with a smooth even field for cycloramas up to 5m - 16ft high
- Simple spacing system 1.2m - 4ft from cyc surface 1.2m - 4ft on center spacing
- Designed for top or floor mounting with kick stand yoke
- Infinite color choice from the RGBW engine and supporting color temperature in white
- Homogenized fully mixed color output light, no multiple color shadows
- 50,000 hour life before degradation in light output and quality is expected
- Quick selection of Warm White, Cool White, and Daylight
- Color presets simplifies matching existing light sources
- User defined on board presets states available to record your color composition
- Constant color balance down to very low light levels irrespective of intensity setting
- DMX512 Input/Output with 8 or 16-bit resolution and a simple 5-channel control
- RDM controls and setup of fixture allows device settings to be configured remotely
- On-board LCD menu is updated for ease of luminaire set up and addressing
- No ultra-violet (wavelengths of less than 400nm) - for UVA, B or C or the Infrared spectrum (wavelengths of more than 775nm)
- Electronic universal power supply 100-240VAC
- PowerCON In and Through connectors
- cETLus listed, C-Tick, and CE marked (IP20 Rated)

ADVANCED CONTROL

The PLCYC1 MKII LED luminaire has an on-board LCD menu system for luminaire setup, control, and addressing. The revised menu system is extremely user-friendly, offering all the configuration options within a few button presses, speeding up setup.

Selecon

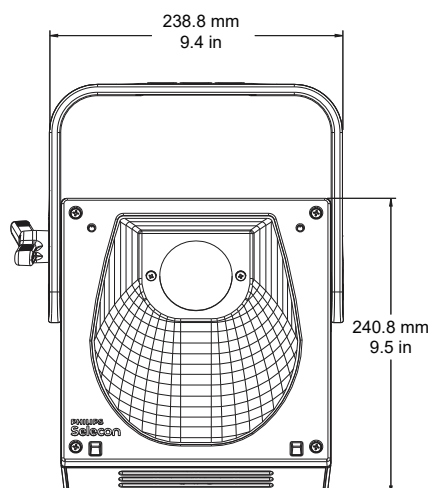
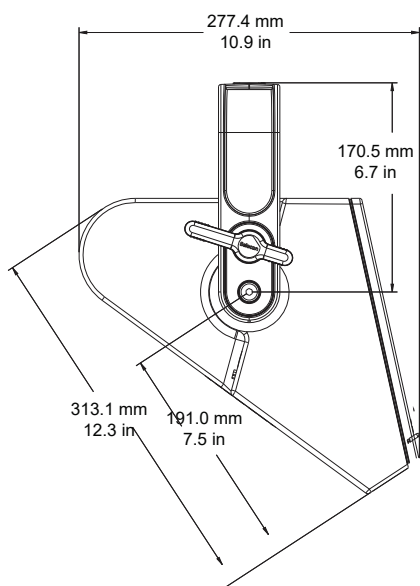
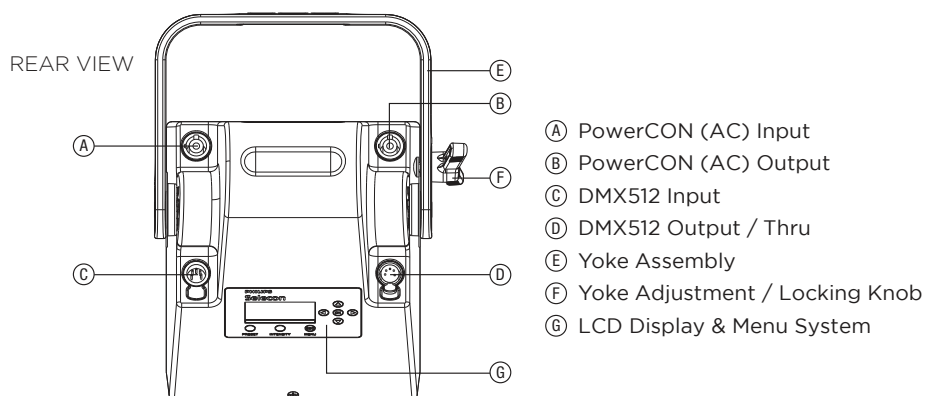
PLCYC1 MKII LED

CONSOLE CONTROL

All PLCYC1 MKII luminaires now have added support for Remote Device Management (RDM) and DMX512 control. A choice of 8 or 16 bit control resolution or new, simple, 5-channel control is available. Extended color and color temperature control is provided by either the Strand NEO or Palette families of control consoles to simplify programming and luminaire color matching.

PLCYC1 MKII LED ENGINE

The PLCYC1 MKII luminaire's powerful LED engine offers exceptional performance and life. Under normal operating conditions our LED engine has a life expectancy in excess of 50,000 hours, however under worse case operating conditions with the luminaire set to continuous full output, it is possible that a small percentage of LEDs may require replacement sooner. With the new LED engine, power consumption has been reduced by approximately 7%, while color consistency has been greatly improved, ensuring unit-to-unit matching of colors.



Selecon

PLCYC1 MKII LED

SOURCE		
Type	True RGBW LED engine, using custom designed LED array	
Wattage (max)	140W	
OPTICAL PERFORMANCE		
Output lumens	>2000 (full RGBW white light)	
Output CRI	>80 @4000K white LED only	
BEAM		
Beam angle	42° vertical / 38° horizontal	
POWER		
Operating voltage	100-240VAC	
Frequency	50 / 60 Hz	
Standby	5W	
Current @ 120V	1.2A	
Current @ 240V	0.6A	
DATA CONNECTIONS		
DMX512	Input, output / thru	
AC power	Input / output	
Multi-conductor	Top box to luminaire connection	
Control	On-board menu / DMX512 / RDM	
PHYSICALS		
IP Rating	IP20	
Finish	Black	
Construction	Machined aluminum, sheet metal, and molded engineering grade plastic components	
ENVIRONMENT		
	°C	°F
Ambient temperature	0-40	32-104
DIMENSIONS		
	mm	in
H x W x D	240.8 x 238.8 x 277.4	9.5 x 9.4 x 10.9
WEIGHT		
	kg	lb
Net weight	3.3	7.3
WARRANTY & APPROBATIONS		
Warranty	2 years	
Approvals / Listings	cETLus Listed, CE and C-Tick Mark	

Selecon

PLCYC1 MKII LED

PRODUCT NAME	ORDER CODE
PLCYC1 MKII LED Luminaire, Black, with SC C-Clamp, Safety Cable, and AC Input Cable*	PLCYC1MKII1-03
PLCYC1 MKII LED Luminaire, Black, with SC C-Clamp, Safety Cable, and AC Input Cable (bare-end, no AC input connector)	PLCYC1MKII1
ACCESSORIES - CLAMPS	
Selecon Molded Yoke Rated C-Clamp	SC
Mega Claw, Black Anodized	MC
ACCESSORIES - TOP BOX ASSEMBLY	
Spare Top Box (Interconnect) Assembly	PLICB
ACCESSORIES - AC POWER INPUT CABLES	
39 inches / 1 meter, PowerCON without AC connector (bare end)	PC1BE
39 inches / 1 meter, PowerCON with Stagepin connector	PC1GP
39 inches / 1 meter, PowerCON with Twistlock Connector	PC1GTL
39 inches / 1 meter, PowerCON with Edison Connector	PC1GR
ACCESSORIES - AC INTERCONNECT CABLES	
PowerCON Male to PowerCON Female 2.5 Meter Cable for interconnection between units	PC3PC
ACCESSORIES - LUMINAIRE SOFTWARE UPLOADER CABLE	
USB Luminaire Software Programming Kit (for updating luminaire firmware) - includes USB Upload Cable, QuickStart Guide, and Carry Bag	PEGASUS

*Specify AC input connector at time of ordering (GR - Edison / GP -Grounded Stagepin / GTL - Twistlock).

© 2018 Signify Holding. All rights reserved.

All trademarks are owned by Signify Holding or their respective owners. The information provided herein is subject to change, without notice. Signify does not give any representation or warranty as to the accuracy or completeness of the information included herein and shall not be liable for any action in reliance thereon. The information presented in this document is not intended as any commercial offer and does not form part of any quotation or contract, unless otherwise agreed by Signify. Data subject to change.

Ref: PLCYC1MKII1-03-100-00