

S21 & eS21 Dimmer Module (71700) Replacement Guide



CAUTION!

Before attempting any electrical work, disconnect power at circuit breaker or remove fuse to avoid electrical shock or damage to the equipment. It is recommended that a qualified technician perform this procedure.

S21 & eS21 Dimmer Module Replacement Instructions

Introduction

In the event that an IGBT Dimmer module in an S21 or eS21 dimmer strip requires replacing this guide provides step-by-step instructions on how to perform this replacement.

Tools

- Number 2 Phillips Screwdriver
- 5/16-inch (8 mm) Nut Driver/Wrench or Adjustable Wrench (for eS21 modules only)

Procedure

To install a 71700 IGBT Dimmer Module in an S21 or eS21 dimmer strip, perform the following:

Step 1 - Make sure all power is removed from dimmer strip. Note, turning off the dimmer DOES NOT disconnect the power from the dimmer module.

Step 2 - At dimmer module to be replaced, remove four screws indicated in Figure 2. Gently slide dimmer module out and away from dimmer strip - but do not completely remove (wiring is attached at rear of module).

Step 3 - At rear of dimmer module, note all attached wiring and disconnect all wiring from dimmer module. Remove module and set aside.

Step 4 - At DIP Switch on replacement module, as indicated in Figure 3, set all DIP Switches to same position as on removed module.

NOTE: Each dimmer module must have a unique DIP Switch setting. The replacement dimmer module must have the same DIP Switch settings as removed unit.

Step 5 - Position replacement dimmer module in open space in dimmer strip (where module was removed).

Procedure continued on reverse side.

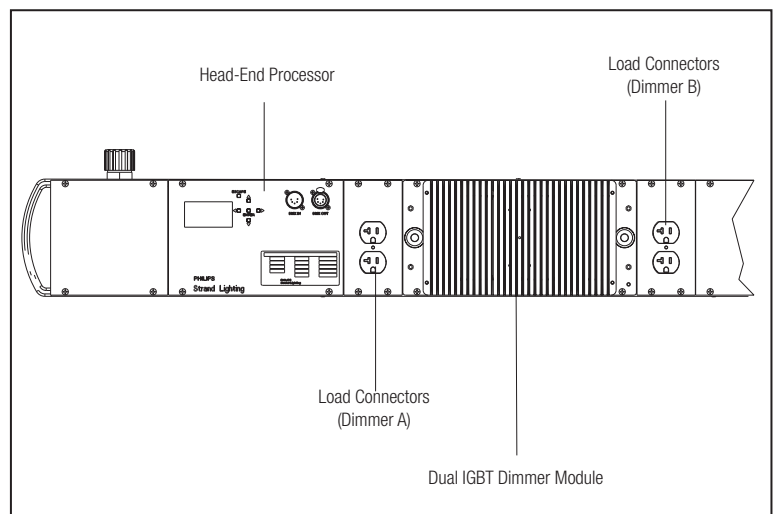


Figure 1 - Dimmer Strip Components

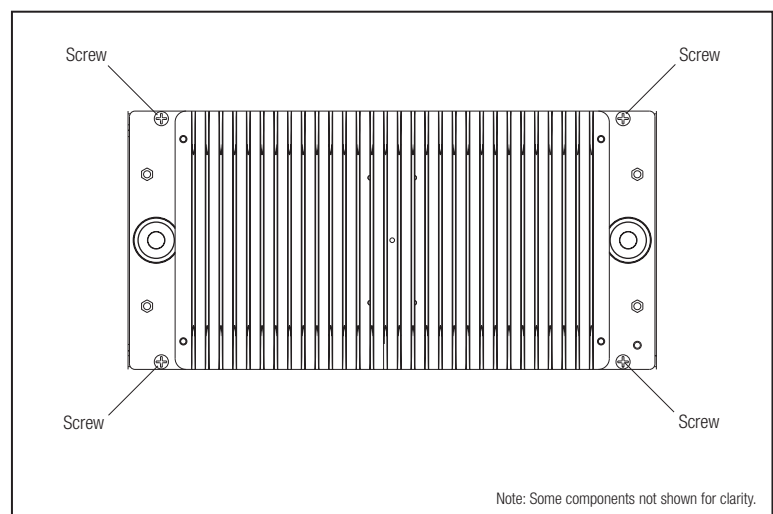


Figure 2 - Dual Dimmer Module

S21 & eS21 Dimmer Module (71700) Replacement Guide

Procedure (continued from reverse side)

Step 6 - Connect all wiring as shown in Module Connection Charts below (depends on model).

NOTE: On eS21 dimmer strips **ONLY**, reconnect ground wires as shown in Figure 3 "eS21 Ground Wire Detail".

Step 7 - Reinstall dimmer module using four screws removed in Step 2.

Step 8 - Reenergize dimmer strip, connect loads, and test dimmer strip operation.

Need help?

For technical assistance regarding this and all Strand Lighting products, please contact us at 1.214.647.7880 or 1.800.4STRAND (478-7263).

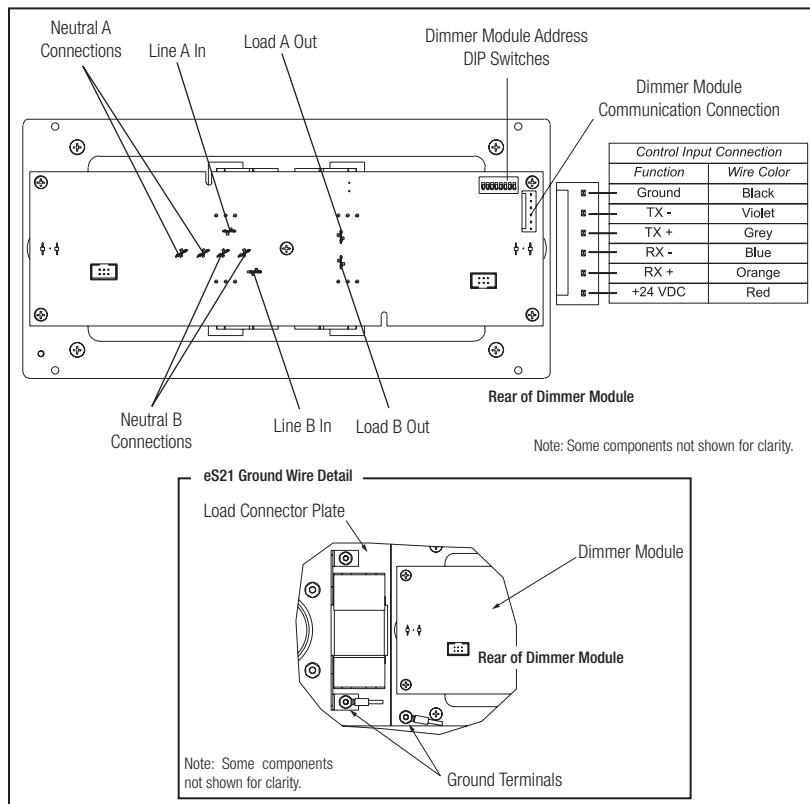


Figure 3 - Replacement Dimmer Module Connections

Connection Charts

S21 Dimmer Module (120V)

Connection	Wire Color	Comments
Neutral A	White	2 EA
Neutral B	White	2 EA
Line A In	Black	Module 1 in Strip
Line A In	Red	Module 2 in Strip
Line A In	Blue	Module 3 in Strip
Line B In	Black	Module 1 in Strip
Line B In	Red	Module 2 in Strip
Line B In	Blue	Module 3 in Strip
Load A Out	Yellow	Out to Load A
Load B Out	Violet	Out to Load A
Comm Line	N/A	6-Position Connector

eS21 Dimmer Module (230V/240V)

Connection	Wire Color	Comments
Neutral A	Blue	2 EA
Neutral B	Blue	2 EA
Line A In	Brown	Module 1 in Strip
Line A In	Black	Module 2 in Strip
Line A In	Grey	Module 3 in Strip
Line B In	Brown	Module 1 in Strip
Line B In	Black	Module 2 in Strip
Line B In	Grey	Module 3 in Strip
Load A Out	Yellow	Out to Load A
Load B Out	Violet	Out to Load A
Comm Line	N/A	6-Position Connector
Ground	Green/Yellow	Grounding wire

Philips Strand Lighting

Dallas
10911 Petal Street
Dallas, TX 75238
Tel: (214) 647-7880
Fax: (214) 647-8030

New York
267 5th Ave, 4th Floor
New York, NY 10016
Tel: (212) 213-8219
Fax: (212) 532-2593

www.strandlighting.com
© Philips Group 2010 - 2012
All rights reserved.
The Company reserves the right to make any variation in design or construction to the equipment described. E&OE

Auckland
19-21 Kawana Street
Northcote, Auckland 0627
New Zealand
Tel: + 64 9 481 0100
Fax: + 64 9 481 0101

Asia
Unit C, 14/F,
Roxy Industrial Centre
No. 41-49 Kwai Cheong Road
Kwai Chung, N.T., Hong Kong
Tel: +852 2796 9786
Fax: +852 2798 6545

Europe
European Service & Distribution Centre
Marssteden 152
Enschede 7547 TD
the Netherlands
Tel: +31-53-4500424
Fax: +31-53-4500425

PHILIPS
Strand Lighting