

Selecon

RAMA 150 PC



The Rama 150 PC (1.0kW / 1.2kW, 150mm lens) provides an adjustable cone of light that has a crisper edge than a Fresnel, and is easily blended with adjacent beams to provide even illumination.

Selecon

RAMA 150 PC

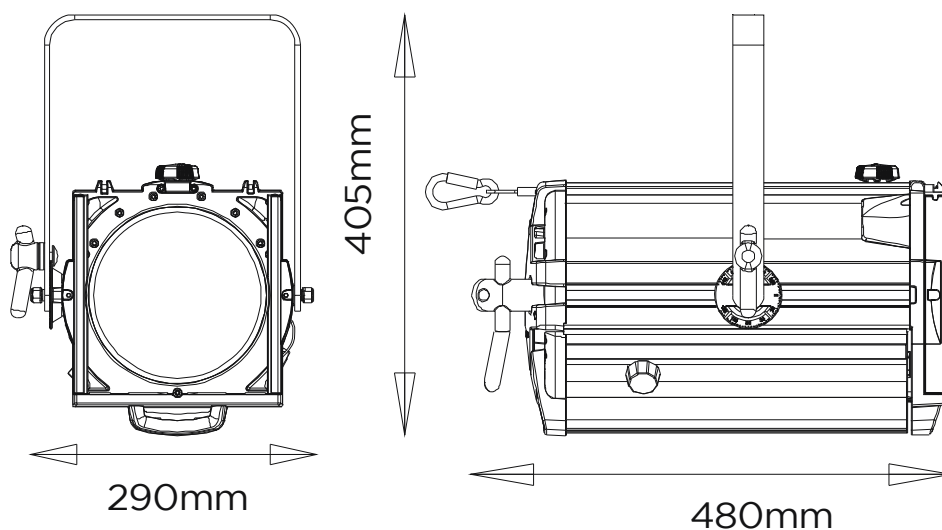
FEATURES

- Integrated safety bond, rated for the fitting; maximum free length = 830mm
- Adjustable yoke balance point
- 'Swing-down' door for easy access to lamp or cleaning. Disconnects the mains power supply on opening
- Smooth 'posi-slide' focus system, no metal to metal contact
- Constructed of aluminium extrusion and moulded engineering plastics
- Cooler operation due to use of engineering plastics on front (colour frame mount) and rear of luminaire
- Heat-insulated rear grab-handle which doubles as handy storage for the 1m cable length
- Tilt and focus scale is in real degrees allowing for accurate WSYIWYG implementation

Selecon

RAMA 150 PC

SOURCE				
Type	T/29	CP90	T/11 T/19	CP70
Wattage (max)	1200	1200	1000	1000
Average life (hrs)	400	200	750	200
OPTICAL PERFORMANCE				
Output lumens	27,600	30,000	21,500	25,000
BEAM				
	5°	60°		
Peak candela	306,600	15,840		
LENS				
Length	150mm			
POWER				
Operating voltage	100-240VAC			
Wattage	1.0kW / 1.2kW			
PHYSICALS				
Finish	Black			
Construction	Aluminium extrusion and moulded engineering plastics			
DIMENSIONS				
	mm	in		
H x W x D	405 x 290 x 370	15.9 x 11.4 x 14.6		
WEIGHT				
	kg	lb		
Net weight	6.9	15.2		
WARRANTY & APPROBATIONS				
Warranty	3 years			
Approvals / Listings	CE			

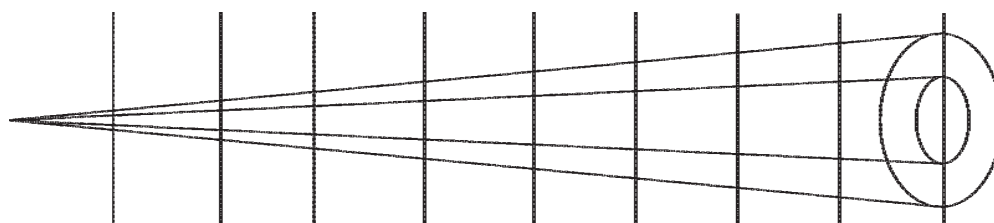


Selecon

RAMA 150 PC

BEAM DIAMETER (m)

5°	0	0.2	0.3	0.5	0.7	0.9	1.0	1.2	1.4
60°	0	2.3	4.6	6.9	9.2	11.5	13.9	16.2	18.5



THROW DISTANCE (m)

	0	2	4	6	8	10	12	14	16
LIGHT OUTPUT (LUX)									
Spot		76648	19162	8516	4791	3066	2129	1564	1198
Flood		3960	990	440	248	158	110	81	62

PRODUCT NAME

ORDER CODE

Rama 150 PC - GX9.5 lamp base

16RAPC150

Rama 150 PC - G22 lamp base

16RAFR150G22

Rama barndoor

20BDRA

Rama barndoor - eight leaf

20BDRA8

Rama lens safety mesh

20SM6

© 2018 Signify Holding. All rights reserved.

All trademarks are owned by Signify Holding or their respective owners. The information provided herein is subject to change, without notice. Signify does not give any representation or warranty as to the accuracy or completeness of the information included herein and shall not be liable for any action in reliance thereon. The information presented in this document is not intended as any commercial offer and does not form part of any quotation or contract, unless otherwise agreed by Signify. Data subject to change.

Ref: 16RAPC150-100-00