

# Selecon

## SPX ELLIPSOIDAL



A precision lighting instrument delivering the highest efficiency in ERS luminaires combined with the performance excellence, and user-friendly operational and safety features you expect from Selecon.

# Selecon

## SPX ELLIPSOIDAL

### FEATURES

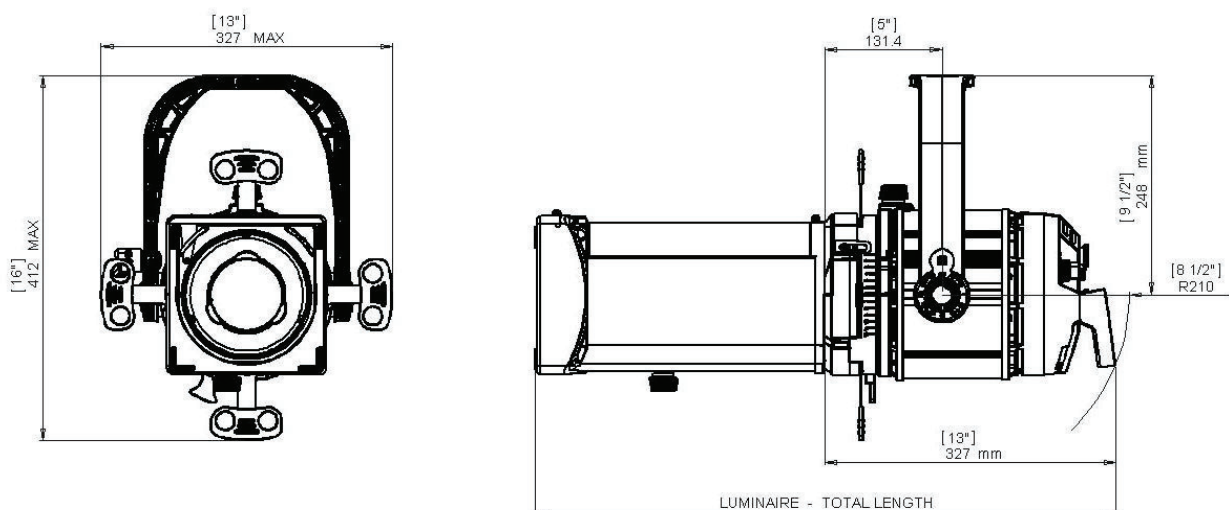
- Up to 27% more efficient than current industry benchmark units
- Fully adjustable beam distribution from flat to true peak field
- SEVEN optical systems: 15°-35° and 25°-50° Zoomspots; 14°,19°, 26°, 36° and 50° Fixed Beams
- ALL lens tubes interchangeable and can be ordered separately
- Designed to manage the power and heat from high output tungsten halogen 800W sources
- More light and high contrast pattern projections - fully adjustable beam distribution from peak (3:1) to flat (2:1) using intuitive adjustment solution
- Precise positioning with rigid moulded yoke, shutter clamp lock, and reference scales on tilt, lens and lens tube angle settings
- Compartmental heat management system exhausts the heat away from the critical lamp socket and cabling to minimise heat damage
- Minimal light spill with enclosed front colour frame / accessory holder
- Dual accessory slots for simultaneous use of 'B' size gate patterns, rotators and irises
- 360° barrel rotation
- Mains isolation via micro-switch for maximum safety while re-lamping
- Fitted safety bond
- Ease of maintenance - full access to all lens surfaces for cleaning
- Three-year warranty

# Selecon

## SPX ELLIPSOIDAL

	115V				230V			240V		
SOURCE	GLC	GLC	GLA	GLG	GKV	GKV	GLB	GKV	GKV	GLB
Lamp	G9.5				G9.5			G9.5		
Wattage (max)	750	575	575	375	800	800	600	800	600	600
Average life* (hrs)	300	400	1500	300	200	300	1500	200	300	1500
OPTICAL PERFORMANCE*										
	GLC	GLC	GLA	GLG	GKV	GKV	GLB	GKV	GKV	GLB
Output lumens	20,500	15,500	13,500	10,000	20,000	14,700	13,000	20,000	15,000	13,000
15-35° ZOOM OPTICAL PERFORMANCE*										
	GLC	GLC	GLA	GLG	GKV	GKV	GLB	GKV	GKV	GLB
At 15°	1.10	0.97	0.84	0.62	1.00	0.75	0.67	1.00	0.77	0.67
At 35°	1.09	0.91	0.80	0.59	1.00	0.75	0.66	1.00	0.76	0.66
25-50° ZOOM OPTICAL PERFORMANCE*										
at 25°	1.06	0.88	0.77	0.57	1.00	0.75	0.66	1.00	0.77	0.66
at 50°	1.11	0.90	0.78	0.58	1.00	0.70	0.62	1.00	0.71	0.62
FIXED BEAM OPTICAL PERFORMANCE*										
	GLC	GLC	GLA	GLG	GKV	GKV	GLB	GKV	GKV	GLB
14°	1.28	1.09	0.95	0.70	1.00	0.79	0.70	1.00	0.81	0.70
19°	1.05	0.88	0.77	0.57	1.00	0.76	0.68	1.00	0.78	0.68
26°	1.18	0.99	0.86	0.64	1.00	0.78	0.69	1.00	0.80	0.69
36°	1.15	0.91	0.79	0.59	1.00	0.75	0.67	1.00	0.77	0.67
50°	1.16	0.92	0.80	0.59	1.00	0.76	0.68	1.00	0.78	0.68

\*Photometric tests conducted under laboratory conditions with calibrated lamps at the rated voltage; data normalised to nominal Lamp Luminous Flux. Figures in gray extrapolated from test data



# Selecon

## SPX ELLIPSOIDAL

### IMAGING

<b>Gobo slots</b>	2
<b>Gobo size</b>	B

### PHYSICALS

<b>Finish</b>	Black
<b>Construction</b>	Machined aluminum, sheet metal, and molded engineering grade plastic components

### ENVIRONMENT

	°C	°F
<b>Ambient temperature</b>	0-40	32-104

### LENS TUBE LENGTH

<b>Fixed</b>	<b>14°</b>	<b>19°</b>	<b>26°</b>	<b>36°</b>
<b>mm</b>	400	310	270	250
<b>in</b>	15.7	12.2	10.6	9.8
<b>Zoom</b>	<b>50°</b>	<b>15-35°</b>	<b>25-50°</b>	
<b>mm</b>	200	370	280	
<b>in</b>	7.9	14.6	11.0	

### FIXTURE LENGTH

<b>Fixed</b>	<b>14°</b>	<b>19°</b>	<b>26°</b>	<b>36°</b>
<b>mm</b>	835	745	705	685
<b>in</b>	32.9	29.3	27.7	27.0
<b>Zoom</b>	<b>50°</b>	<b>15-35°</b>	<b>25-50°</b>	
<b>mm</b>	635	805	715	
<b>in</b>	25.0	31.7	28.1	

### WEIGHT

	<b>kg</b>	<b>lb</b>
<b>Net weight</b>	8.3	18.25

### WARRANTY & APPROBATIONS

<b>Warranty</b>	3 years
<b>Approvals / Listings</b>	CE

# Selecon

## SPX ELLIPSOIDAL

### PHOTOMETRIC DATA — ZOOM 15-35°

15°

#### ILLUMINANCE (LUX)

<b>Beam Diameter (m)</b>	0	1.6	2.6	3.9	5.3
<b>Throw distance (m)</b>	0	6	10	15	20
<b>Flat</b>		9571	3445	1531	861
<b>Peak</b>		4858	1749	777	437

35°

#### ILLUMINANCE (LUX)

<b>Beam Diameter (m)</b>	0	3.2	5.0	7.6	9.5
<b>Throw distance (m)</b>	0	5	8	12	15
<b>Flat</b>		5032	1966	874	559
<b>Peak</b>		2555	998	444	284

### PHOTOMETRIC DATA — ZOOM 25-50°

25°

#### ILLUMINANCE (LUX)

<b>Beam Diameter (m)</b>	0	1.3	2.7	4.4	6.7
<b>Throw distance (m)</b>	0	3	6	10	15
<b>Flat</b>		19075	4769	1717	763
<b>Peak</b>		11498	2875	1035	460

50°

#### ILLUMINANCE (LUX)

<b>Beam Diameter (m)</b>	0	2.8	5.6	9.3	11.2
<b>Throw distance (m)</b>	0	3	6	10	12
<b>Flat</b>		7336	1834	660	459
<b>Peak</b>		2951	738	266	184

# Selecon

## SPX ELLIPSOIDAL

### PHOTOMETRIC DATA – FIXED

14°

#### ILLUMINANCE (LUX)

<b>Beam Diameter (m)</b>	0	2.5	3.7	6.1	7.4
<b>Throw distance (m)</b>	0	10	15	20	30
<b>Flat</b>		4019	1786	643	447
<b>Peak</b>		2845	1264	455	316

19°

#### ILLUMINANCE (LUX)

<b>Beam Diameter (m)</b>	0	2.7	4.0	6.0	8.4
<b>Throw distance (m)</b>	0	8	12	18	25
<b>Flat</b>		5365	2384	1060	549
<b>Peak</b>		4254	1891	840	436

26°

#### ILLUMINANCE (LUX)

<b>Beam Diameter (m)</b>	0	2.3	4.6	6.9	9.2
<b>Throw distance (m)</b>	0	5	10	15	20
<b>Flat</b>		6715	1679	745	420
<b>Peak</b>		5425	1356	603	339

36°

#### ILLUMINANCE (LUX)

<b>Beam Diameter (m)</b>	0	3.2	5.2	7.8	9.7
<b>Throw distance (m)</b>	0	5	8	12	15
<b>Flat</b>		3755	1457	652	417
<b>Peak</b>		2430	949	422	270

50°

#### ILLUMINANCE (LUX)

<b>Beam Diameter (m)</b>	0	2.8	4.7	7.5	9.3
<b>Throw distance (m)</b>	0	3	5	8	10
<b>Flat</b>		5792	2085	815	521
<b>Peak</b>		3633	1308	511	327

# Selecon

## SPX ELLIPSOIDAL

PRODUCT NAME	ORDER CODE
SPX1535 SPX 15°-35° Zoomspot	<b>SPX1535</b>
SPX 25 -50° Zoomspot	<b>SPX 2550</b>
SPX 14° Fixed Beam	<b>SPX 14</b>
SPX 19° Fixed Beam	<b>SPX 19</b>
SPX 26° Fixed Beam	<b>SPX 26</b>
SPX 36° Fixed Beam	<b>SPX 36</b>
SPX 50°Fixed Beam	<b>SPX 50</b>
ACCESSORIES	
SPX 20-leaf Iris	<b>20IRIS</b>
SPX 'B' Pattern Holder	<b>SPXGHB</b>
SPX 'B' Pattern Holder - glass	<b>SPXGHGB</b>
SPX Lens Safety Mesh	<b>19PACSMFB</b>
SPX Colour Frame 20HC SPX Suspension Hook Clamp	<b>19PACCF</b>

© 2018 Signify Holding. All rights reserved.

All trademarks are owned by Signify Holding or their respective owners. The information provided herein is subject to change, without notice. Signify does not give any representation or warranty as to the accuracy or completeness of the information included herein and shall not be liable for any action in reliance thereon. The information presented in this document is not intended as any commercial offer and does not form part of any quotation or contract, unless otherwise agreed by Signify. Data subject to change.

Ref: SPX1535-100-00