

# Strand Lighting SPX LED WW – Photometric Data



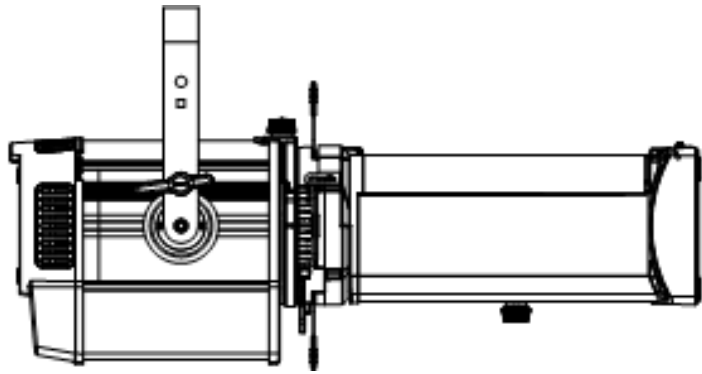
<b>SPX LED WW Light output Tables</b>	<b>Total Output (lm)</b>	<b>Power (W)</b>	<b>Efficacy (lm/W)</b>	<b>Power Factor</b>	<b>THD*</b>
Zoom 15 -35 Narrow Setting	8506	279.4	30.4	0.99	7.8%
Zoom 15 -35 Wide Setting	8279	280.2	29.5	0.99	7.9%
Zoom 25 -50 Narrow Setting	8806	280.2	31.4	0.99	8.1%
Zoom 25 -50 Wide Setting	8430	279.9	30.1	0.99	8.0%
14 Degree	9170	280.5	32.7	0.99	8.0%
19 Degree	9187	280.7	32.7	0.99	7.9%
26 Degree	9083	280.1	32.4	0.99	8.1%
36 Degree	9291	280.3	33.1	0.99	8.0%
50 Degree	9489	280.4	33.8	0.99	8.0%

\* Operating at 115vAC at 60Hz

# Fixed Lens Tubes

# SPX LED WW with 14 Degree Fixed Lens

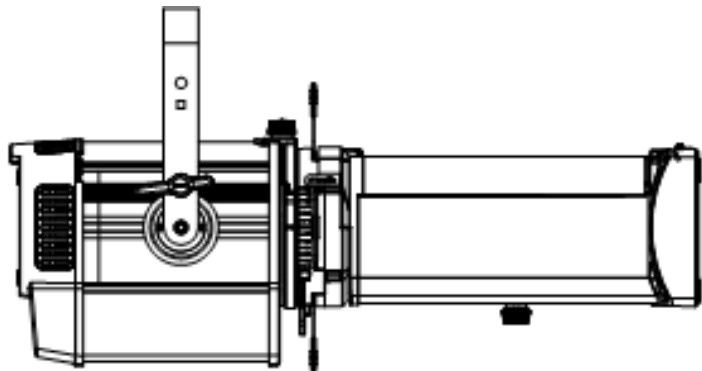
## Imperial measurements



Throw Distance (feet)	10	15	20	25	30	40
Beam Diameter (feet)	2.8	4.2	5.6	7	8.4	11.2

Center Beam Illuminance (fc)						
Warm white 2950K +/-50K	3955.47	1757.99	988.87	632.87	439.50	247.22

## Metric measurements



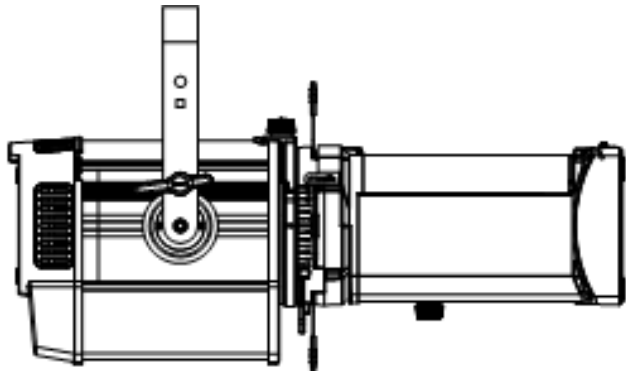
Throw Distance (meters)	3	5	10	15	20	25
Beam Diameter (meters)	0.8	1.4	2.8	4.2	5.6	7

Center Beam Illuminance (lux)						
Warm white 2950K +/-50K	43950	15822	3956	1758	989	633

Field Angle (degrees)	16
Beam Angle (degrees)	12

# SPX LED WW with 19 Degree Fixed Lens

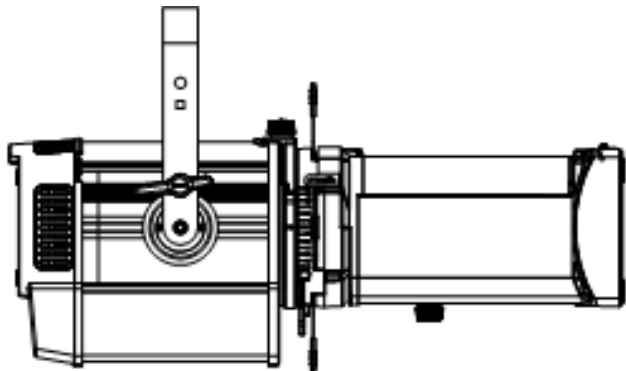
## Imperial measurements



Throw Distance (feet)	10	15	20	25	30	40
Beam Diameter (feet)	3.7	5.6	7.4	9.3	11.1	14.8

Center Beam Illuminance (fc)						
Warm white 2950K +/-50K	2147.38	954.39	536.85	343.58	238.60	134.21

## Metric measurements



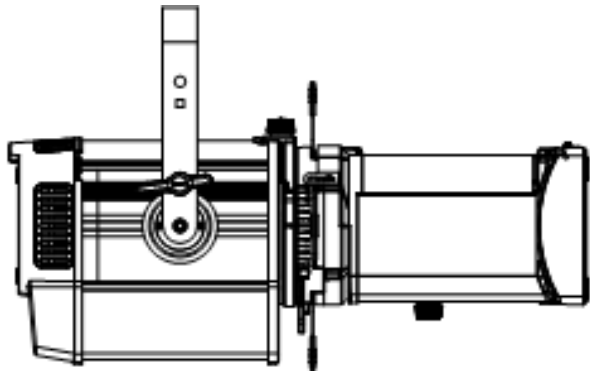
Throw Distance (meters)	3	5	10	15	20	25
Beam Diameter (meters)	1.1	1.9	3.7	5.6	7.4	9.3

Center Beam Illuminance (lux)						
Warm white 2950K +/-50K	23860	8590	2147	954	537	344

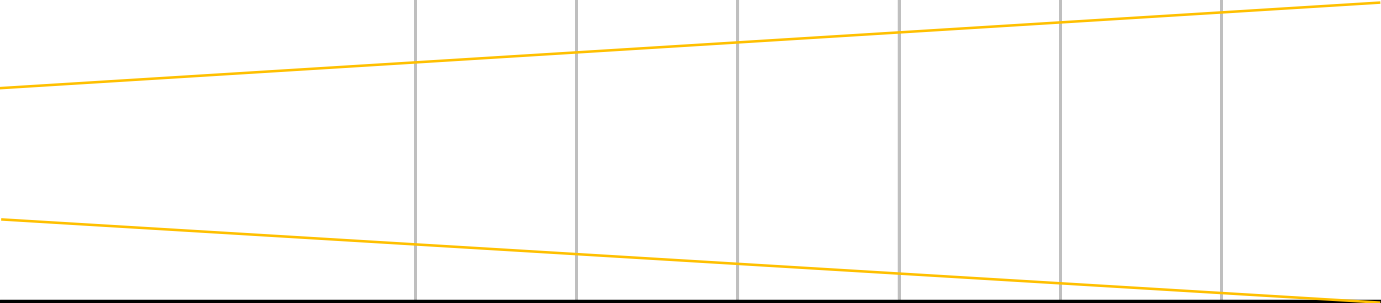
Field Angle (degrees)	21
Beam Angle (degrees)	16

# SPX LED WW with 26 Degree Fixed Lens

## Imperial measurements

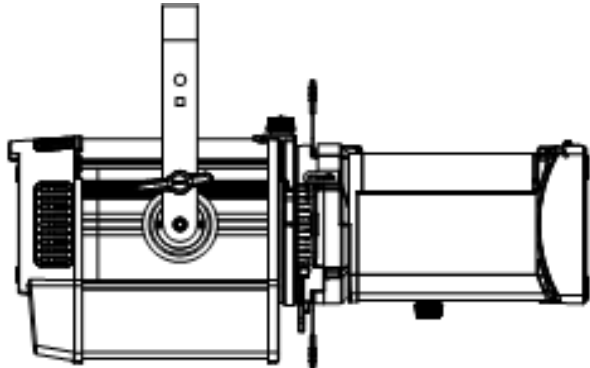


<b>Throw Distance (feet)</b>	10	15	20	25	30	40
<b>Beam Diameter (feet)</b>	5.7	8.6	11.5	14.3	17.2	22.9

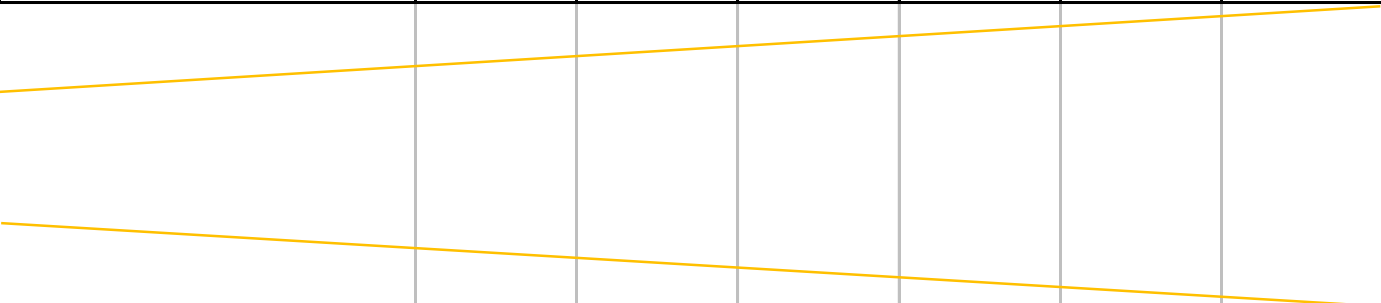


<b>Center Beam Illuminance (fc)</b>						
<b>Warm white 2950K +/-50K</b>	1002.59	445.60	250.65	160.41	111.40	62.66

## Metric measurements



<b>Throw Distance (meters)</b>	3	5	10	15	20	25
<b>Beam Diameter (meters)</b>	1.7	2.9	5.7	8.6	11.5	14.3

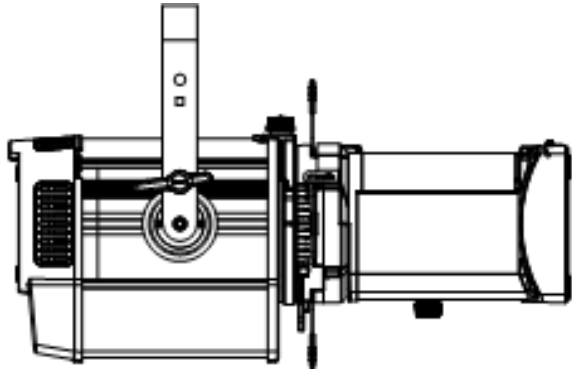


<b>Center Beam Illuminance (lux)</b>						
<b>Warm white 2950K +/-50K</b>	11140	4010	1003	446	251	160

<b>Field Angle (degrees)</b>	32
<b>Beam Angle (degrees)</b>	24

# SPX LED WW with 36 Degree Fixed Lens

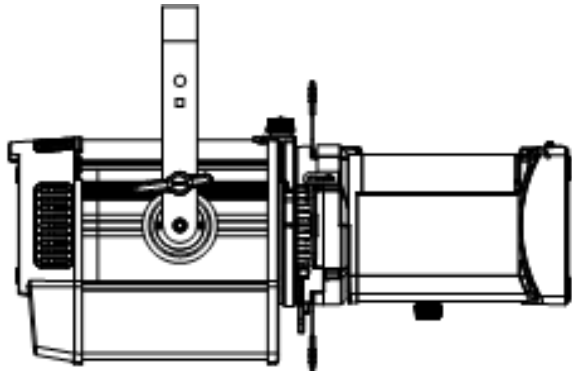
## Imperial measurements



<b>Throw Distance (feet)</b>	10	15	20	25	30	40
<b>Beam Diameter (feet)</b>	7.1	10.6	14.2	17.7	21.2	28.3

<b>Center Beam Illuminance (fc)</b>						
<b>Warm white 2950K +/-50K</b>	569.07	252.92	142.27	91.05	63.23	35.57

## Metric measurements



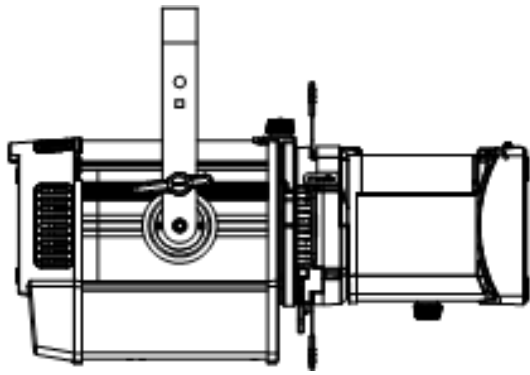
<b>Throw Distance (meters)</b>	3	5	10	15	20	25
<b>Beam Diameter (meters)</b>	2.1	3.5	7.1	10.6	14.2	17.7

<b>Center Beam Illuminance (lux)</b>						
<b>Warm white 2950K +/-50K</b>	6323	2276	569	253	142	91

<b>Field Angle (degrees)</b>	39
<b>Beam Angle (degrees)</b>	31

# SPX LED WW with 50 Degree Fixed Lens

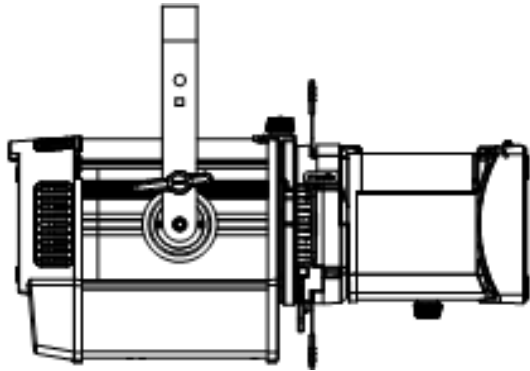
## Imperial measurements



<b>Throw Distance (feet)</b>	10	15	20	25	30	40
<b>Beam Diameter (feet)</b>	10.4	15.6	20.8	26	31.2	41.6

<b>Center Beam Illuminance (fc)</b>						
<b>Warm white 2950K +/-50K</b>	292.86	130.16	73.21	46.86	32.54	18.30

## Metric measurements



<b>Throw Distance (meters)</b>	3	5	10	15	20	25
<b>Beam Diameter (meters)</b>	3.1	5.2	10.4	15.6	20.8	26

--	--	--	--	--	--	--

<b>Center Beam Illuminance (lux)</b>						
<b>Warm white 2950K +/-50K</b>	3254	1171	293	130	73	47

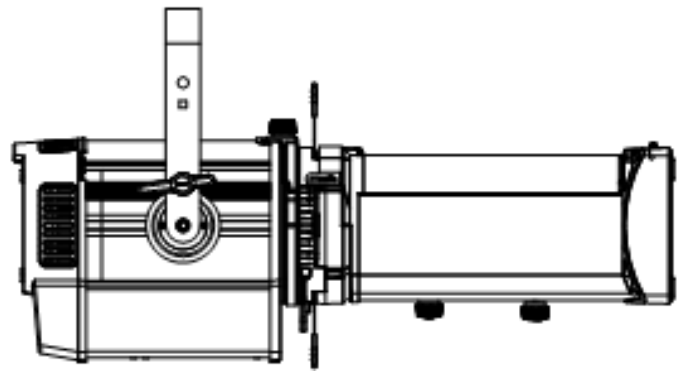
<b>Field Angle (degrees)</b>	55
<b>Beam Angle (degrees)</b>	40



# Zoom Lens Tubes

# SPX LED WW with 15-35 Degree Zoom (Narrow) Lens

## Imperial measurements

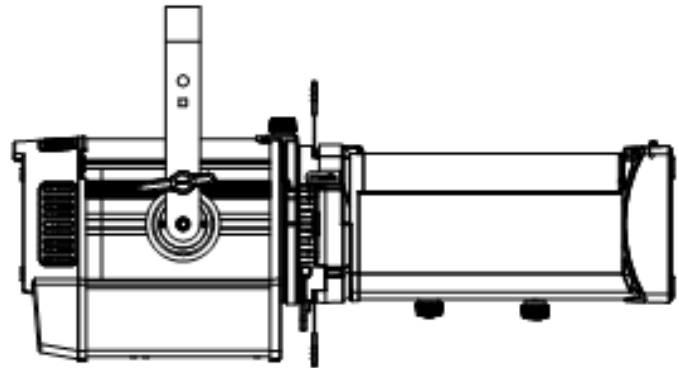


Throw Distance (feet)	10	15	20	25	30	40
Beam Diameter (feet)	3.3	5	6.7	8.4	10	13.4

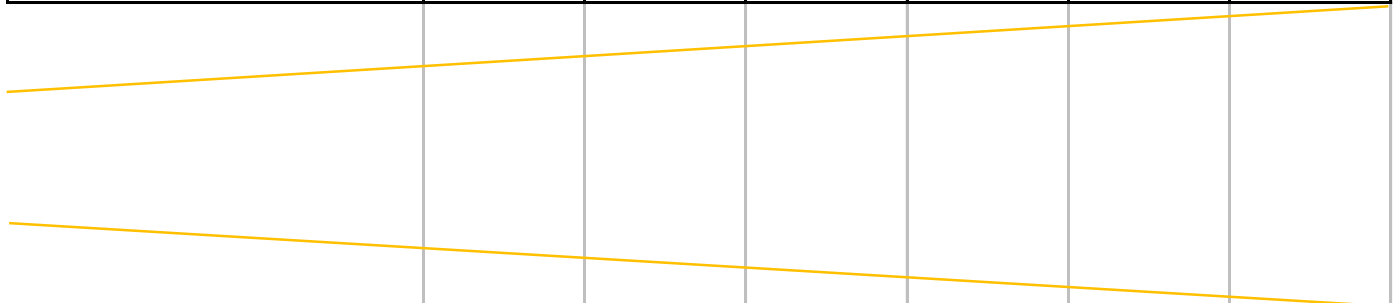


<b>Center Beam Illuminance (fc)</b>						
Warm white 2950K +/-50K	2798.08	1243.59	699.52	447.69	310.90	174.88

## Metric measurements



Throw Distance (meters)	3	5	10	15	20	25
Beam Diameter (meters)	1	1.7	3.3	5	6.7	8.4

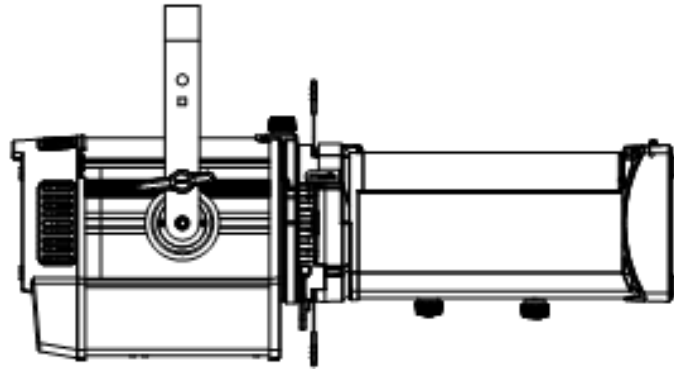


<b>Center Beam Illuminance (lux)</b>						
Warm white 2950K +/-50K	31090	11192	2798	1244	700	448

Field Angle (degrees)	19
Beam Angle (degrees)	15

# SPX LED WW with 15-35 Degree Zoom (Medium) Lens

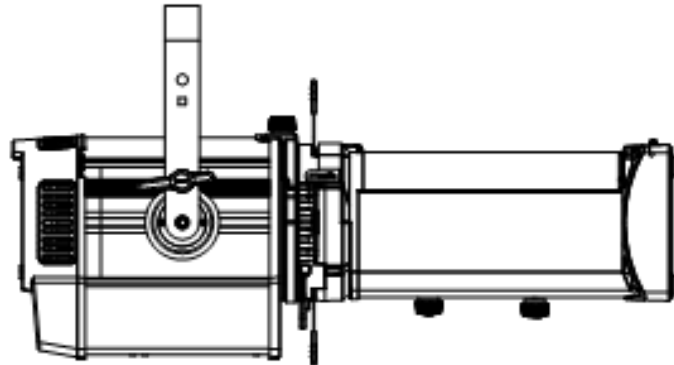
## Imperial measurements



Throw Distance (feet)	10	15	20	25	30	40
Beam Diameter (feet)	4.4	6.7	8.9	11.1	13.3	17.7

Center Beam Illuminance (fc)						
Warm white 2900K +/-50K	1322.99	588.00	330.75	211.68	147.00	82.69

## Metric measurements



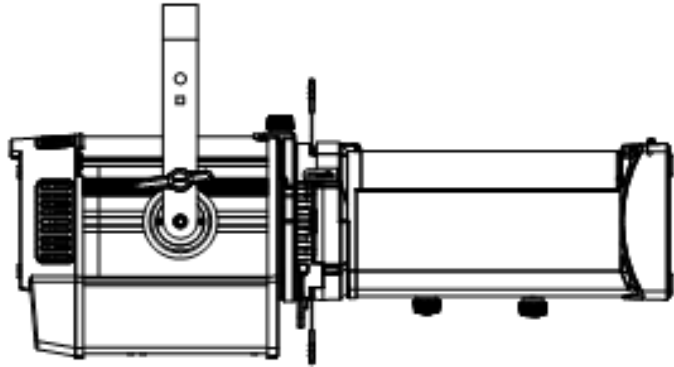
Throw Distance (meters)	3	5	10	15	20	25
Beam Diameter (meters)	1.3	2.2	4.4	6.7	8.9	11.1

Center Beam Illuminance (lux)						
Warm white 2900K +/-50K	14700	5292	1323	588	331	212

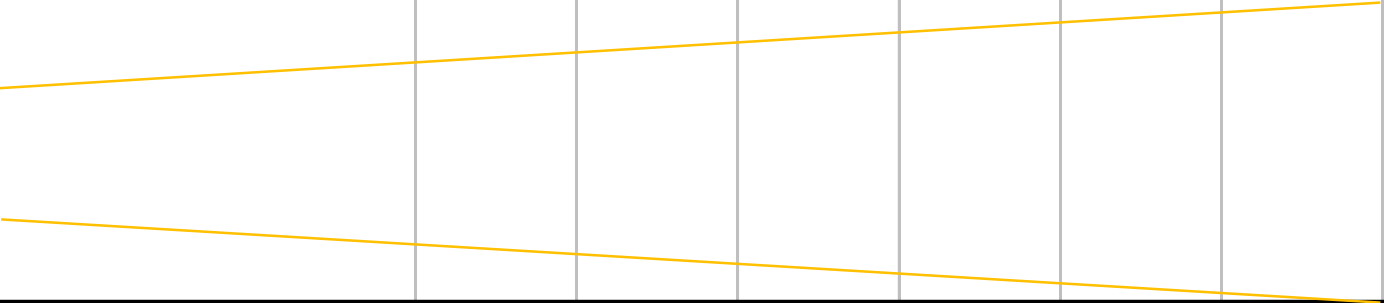
Field Angle (degrees)	25
Beam Angle (degrees)	19

# SPX LED WW with 15-35 Degree Zoom (Wide) Lens

## Imperial measurements

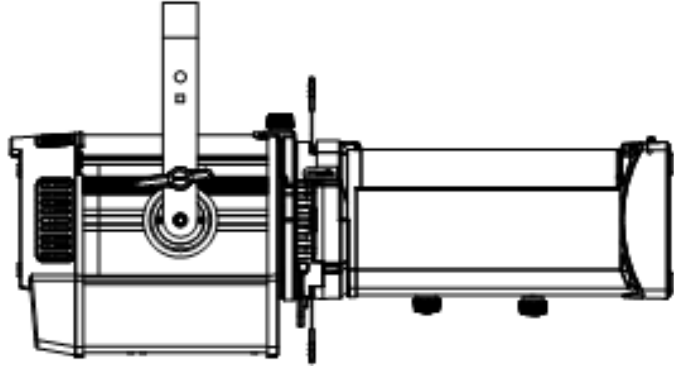


Throw Distance (feet)	10	15	20	25	30	40
Beam Diameter (feet)	6.7	10	13.4	16.7	20.1	26.8

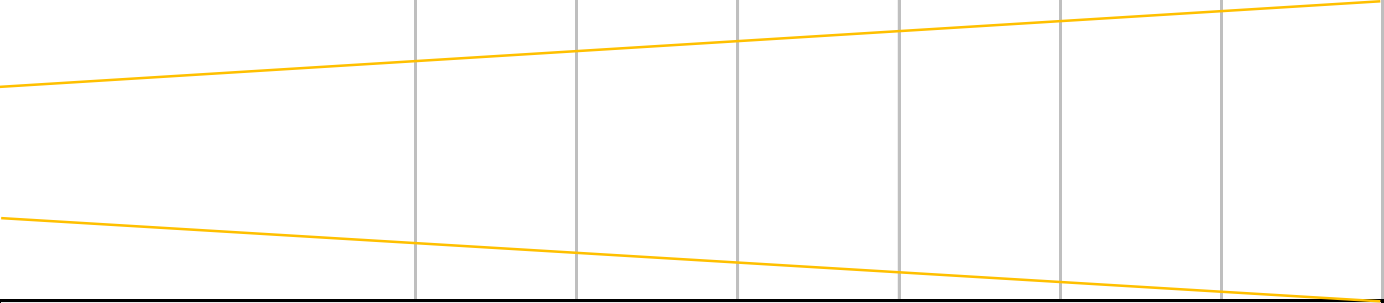


<b>Center Beam Illuminance (fc)</b>						
Warm white 2900K +/-50K	658.52	292.68	164.63	105.36	73.17	41.16

## Metric measurements



Throw Distance (meters)	3	5	10	15	20	25
Beam Diameter (meters)	2	3.3	6.7	10	13.4	16.7



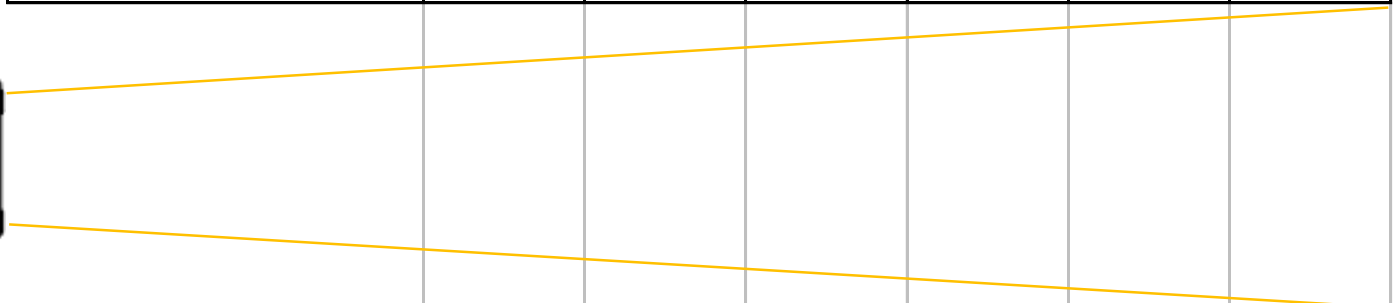
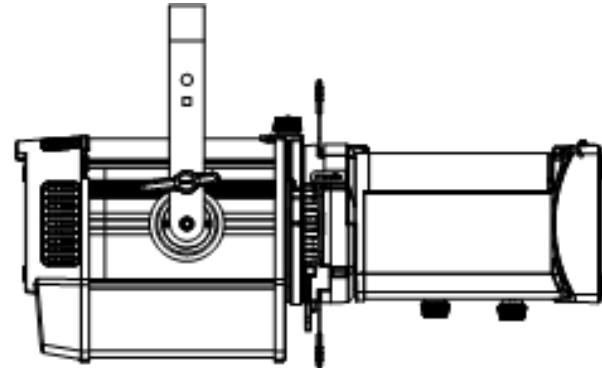
<b>Center Beam Illuminance (lux)</b>						
Warm white 2900K +/-50K	7317	2634	659	293	165	105

Field Angle (degrees)	37
Beam Angle (degrees)	28

# SPX LED WW with 25-50 Degree Zoom (Narrow) Lens

## Imperial measurements

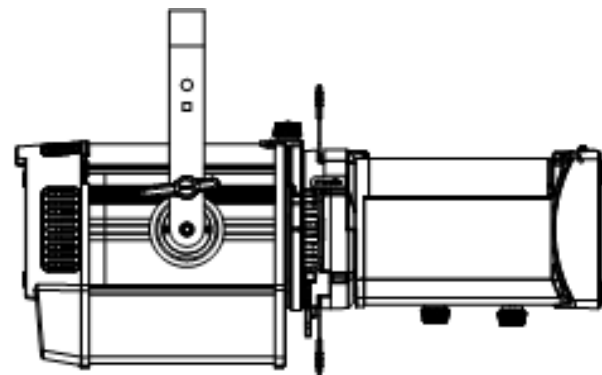
Throw Distance (feet)	10	15	20	25	30	40
Beam Diameter (feet)	4.6	6.9	9.2	11.5	13.9	18.5



<b>Center Beam Illuminance (fc)</b>						
Warm white 2850K +/-50K	1240.19	551.20	310.05	198.43	137.80	77.51

## Metric measurements

Throw Distance (meters)	3	5	10	15	20	25
Beam Diameter (meters)	1.4	2.3	4.6	6.9	9.2	11.5

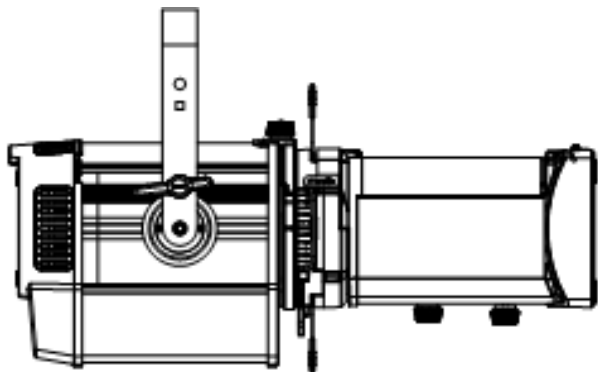


<b>Center Beam Illuminance (lux)</b>						
Warm white 2850K +/-50K	13780	4961	1240	551	310	198

Field Angle (degrees)	26
Beam Angle (degrees)	21

# SPX LED WW with 25-50 Degree Zoom (Medium) Lens

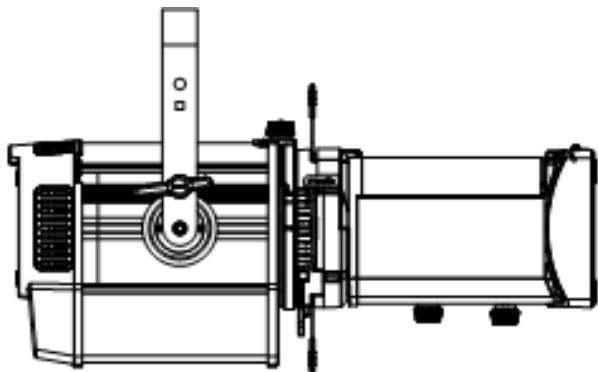
## Imperial measurements



Throw Distance (feet)	10	15	20	25	30	40
Beam Diameter (feet)	6.7	10	13.4	16.7	20.1	26.8

Center Beam Illuminance (fc)						
Warm white 2850K +/-50K	643.58	286.04	160.90	102.97	71.51	40.22

## Metric measurements



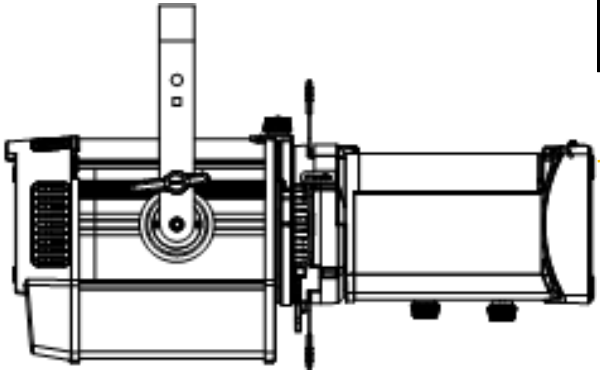
Throw Distance (meters)	3	5	10	15	20	25
Beam Diameter (meters)	2	3.3	6.7	10	13.4	16.7

Center Beam Illuminance (lux)						
Warm white 2850K +/-50K	7151	2574	644	286	161	103

Field Angle (degrees)	37
Beam Angle (degrees)	28

# SPX LED WW with 25-50 Degree Zoom (Wide) Lens

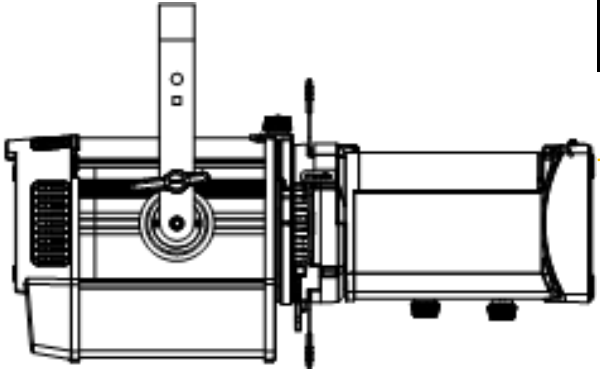
## Imperial measurements



Throw Distance (feet)	10	15	20	25	30	40
Beam Diameter (feet)	8.9	13.4	17.8	22.3	26.7	35.6

Center Beam Illuminance (fc)						
Warm white 2850K +/-50K	364.23	161.88	91.06	58.28	40.47	22.76

## Metric measurements



Throw Distance (meters)	3	5	10	15	20	25
Beam Diameter (meters)	2.7	4.5	8.9	13.4	17.8	22.3

Center Beam Illuminance (lux)						
Warm white 2850K +/-50K	4047	1457	364	162	91	58

Field Angle (degrees)	48
Beam Angle (degrees)	34