



VISION.NET INTERFACE GATEWAY MODULE



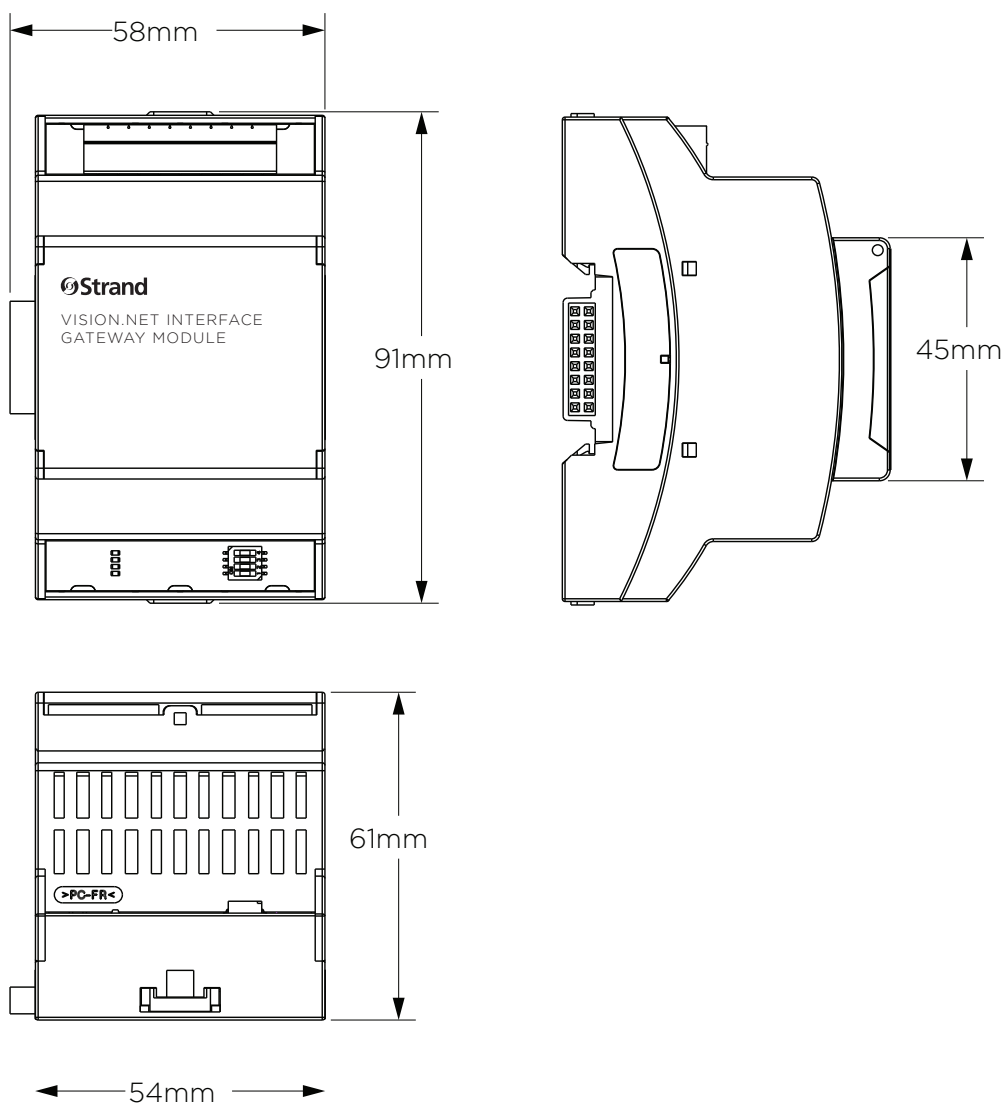
The Strand VISION.NET INTERFACE GATEWAY MODULE is an accessory module for the VISION.NET GATEWAY. The module simplifies commissioning of Vision.Net Control Stations and other hardwired RS485 Vision.Net devices by connecting them to the network using Gateway rather than connecting through a touch panel. Like the Vision.Net Gateway, the Vision.Net Interface Module is DIN rail mountable, ensuring integrators can easily install it in a variety of locations.



VISION.NET INTERFACE GATEWAY MODULE

FEATURES AND BENEFITS

- **RS485 to Network Interface** - connect hardwired RS485 Vision.Net devices to the Vision.Net network without connecting to a touchscreen or similar Vision.Net device
- **DIN Rail Mounting** - easily install in a variety of locations





VISION.NET INTERFACE GATEWAY MODULE

POWER

Supply voltage	24VDC
Source	Module bus (powered by Gateway)
Input current (max)	0.75A at 24VDC
Output current (max)	0.5A
Wattage (max)	18W

DATA

Connections	Gateway Module Interface, 9-pin Vision.Net connector
Vision.Net connected devices (max)	Up to 20, if the maximum current of all connected devices does not exceed 0.5A. Note: Strand touchscreens cannot be powered from the Vision.net interface module.
Vision.Net cable length	1000 ft. from the module to the last connected device in the Vision.Net bus

GATEWAY COMPATIBILITY

Compatible with	Gateway Main Module (65710) running firmware version 1.1 or higher
------------------------	--

PHYSICALS

Finish	As molded RAL 7035 light grey
Construction	Polycarbonate
Mounting	Standard 35mm DIN rail

ENVIRONMENT

	°C	°F
Operating temp	0-45	32-113

DIMENSIONS

	mm	in
H x W x D	90 x 54 x 61	3.54 x 2.13 x 2.4

WEIGHT

	kg	lb
Net weight	0.09	0.2

WARRANTY AND APPROBATIONS

Warranty	2 year limited
Approvals / listings	Conforms to EN60950, EMC: EN55032, CISPR 32

ACCESSORIES

Included	Gateway DIN rail bus short connector DIN rail bus end caps
-----------------	---



VISION.NET INTERFACE GATEWAY MODULE

PRODUCT NAME	ORDER CODE
Vision.Net Interface Gateway Module	65730
POE APPROVED POWER SUPPLIES	ORDER CODE
Planet Technology	PoE-171A-60
Planet Technology	PoE-173
Phihong	POE60U-1BT
Phihong	POE90U-BT (Fully compliant)
24V APPROVED POWER SUPPLIES	ORDER CODE
Meanwell	MDR-60-24
WAGO	787-712

©2019 Signify Holding. All rights reserved.

All trademarks are owned by Signify Holding or their respective owners. The information provided herein is subject to change, without notice. Signify does not give any representation or warranty as to the accuracy or completeness of the information included herein and shall not be liable for any action in reliance thereon. The information presented in this document is not intended as any commercial offer and does not form part of any quotation or contract, unless otherwise agreed by Signify. Data subject to change.

Ref: 65710-100-00