



VISION.NET GATEWAY



The Strand VISION.NET GATEWAY is a state-of-the-art DIN rail mounted, system integration device, that both responds to and manages lighting control networks, with functions for managing device firmware upgrades, real-time clock event manager with a webserver for simple configuration from a standard browser.

Compatible with control infrastructure products such as the Neo control console, Vision.net Touchscreens and C21/EC21 dimming systems, these may use the VISION.NET GATEWAY for conducting and orchestrating their network activity. It may also serve other network devices such as DHCP or other basic network services.

Expandable, the VISION.NET GATEWAY provides clever power and data bus structure, that allows further modules to be simply connected and expanded.

Power can be supplied either through Power over Ethernet or by a 24VDC supply. Simple standalone VISION.NET GATEWAY installations may be powered off a common 802.3af PoE supply, while more elaborate installations, with added expansion modules, may require an 802.3bt class 8 supply.



VISION.NET GATEWAY

BENEFITS

- DIN rail construction and modular design allows for easy mounting options in easy to obtain, 35mm DIN-rail enclosure
- Part of a distributive topology, reducing dependency over single point processing solutions
- Network device management with high level controls
- Simple connection and powering using Ethernet infrastructure, with PoE power, or alternative low power network, allowing future modules to be powered at the same time
- Provides easy method for managing touchscreen firmware
- Software upgradeable

FEATURES

- Gateway powered by PoE or 24v DC power
- Dual 100Base-T (100Mbps Ethernet) connections, one PoE powered
- 24 Volt power input via plug-in connector
- DIN rail mounting with integrated module expansion bus connector
- DHCP and NTP services to the lighting network
- On board menu with screen and rotary selector
- Non-volatile system memory preserves data
- Astronomical real time clock with dynamic control
- Timed system event control for architectural control
- RS232 connection
- 2 USB ports
- Expandable via hardware and software modules allowing support for up to 3 centrally powered modules



VISION.NET GATEWAY

POWER		
Supply voltage	24VDC	
Source	PoE or VDC In	
Backup source	Real-time clock CRTBD battery	
Input current (max)	2.5A at 24VDC	
Wattage (max)	60W	
PoE	up to 802.3 bt class 7-8	

DATA		
Interface	1.8" color LCD with pushbutton rotary knob	
Connections	2 x USB 2.0 host 1 x 10-100 Ethernet WAN 1 x 10-100 LAN, RS232, Power In, Module Interface	

PHYSICALS		
Finish	As molded RAL 7035 light grey	
Construction	Polycarbonate	
Mounting	Standard 35mm DIN rail	

ENVIRONMENT	°C	°F
Operating temp	0-45	32-113

DIMENSIONS	mm	in
H x W x D	90 x 108 x 61	3.54 x 4.25 x 2.4

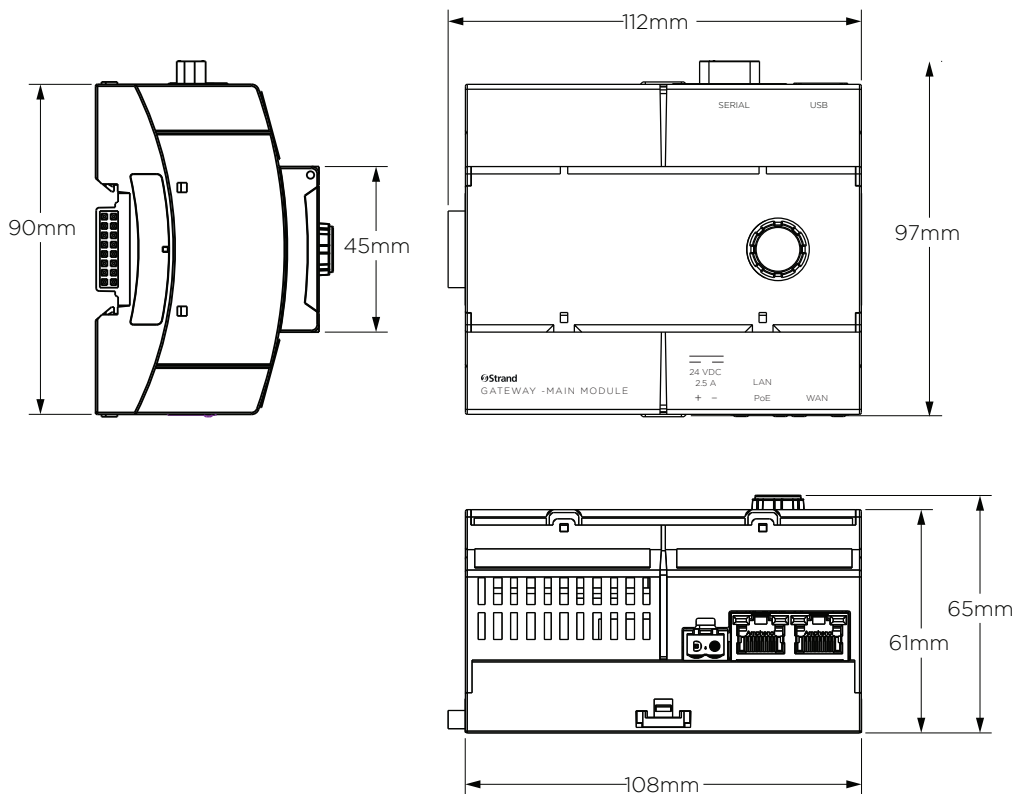
WEIGHT	kg	lb
Net weight	0.27	0.59

WARRANTY AND APPROBATIONS		
Warranty	2 year limited	
Approvals / listings	Conforms to EN60950, EMC: EN55032, CISPR 32	



VISION.NET GATEWAY

PRODUCT NAME	ORDER CODE
Vision.net Gateway DIN rail system module	65710
PoE APPROVED POWER SUPPLIES	
Planet Technology	PoE-171A-60
Planet Technology	PoE-173
Phihong	POE60U-1BT
Phihong	POE90U-BT (Fully compliant)
24V APPROVED POWER SUPPLIES	
Meanwell	MDR-60-24
WAGO	787-712



©2019 Signify Holding. All rights reserved.

All trademarks are owned by Signify Holding or their respective owners. The information provided herein is subject to change, without notice. Signify does not give any representation or warranty as to the accuracy or completeness of the information included herein and shall not be liable for any action in reliance thereon. The information presented in this document is not intended as any commercial offer and does not form part of any quotation or contract, unless otherwise agreed by Signify. Data subject to change.

Ref: 65710-100-00