



VISION.NET TOUCHSCREEN



Strand Vision.net touchscreens come with a variety of mounting options including surface or flush wall mounting, desktop and 19-inch equipment racks.

Working as part of a networked solution, they provide connectivity to existing control infrastructure products such as the Neo control console and the C21/EC21 dimming systems, providing a key part of an integrated approach to control systems.

The Vision.net graphical configuration tool allows “drag and drop” design and layout of control components on the screen, reducing the time needed for system design and implementation. The range is suited to manage the control of working light and house light, architectural control in entertainment spaces, corporate media suites and AV presentation suites, as well as cinemas, museums and conference spaces.



VISION.NET TOUCHSCREEN

FEATURES

- Screen can be powered by PoE or 24v DC power
- High resolution (1280x800) 10.1-inch display with PCAP touchscreen technology
- Active area of 216.96 x 135.60 mm (8.54 x 5.34 inches)
- 100Base-T (100Mbps Ethernet) connection
- Flush and surface mount kits available
- 19-inch rack mount and desktop mounting kits
- Larger screen sizes available using VESA interface and external monitor
- Optional lockable door kit
- “Touch latching” for buttons and faders
- Swipe paging and tabbed screens
- Password protection options
- Simple to support and change configurations via Ethernet
- Time server support
- Commands include (but are not limited to): Raise/Lower, Preset, Toggle On/Off
- Smart commands allow multiple system commands to be executed from a single button press
- Buttons may be shared with other screens and stations
- Optional Ethernet connectivity touchscreens can provide remote access to Strand Lighting NEO control consoles, C21, EC21 A21, and R21 dimming systems
- Bit-mapped backgrounds provide custom graphic displays, with invisible buttons to provide hot spots on graphics
- Sleek design of on-screen button and faders
- 2 USB ports for offline updates
- Nine-pin Phoenix connector for bridging to RS485 Vision.net data

BENEFITS

- Sleek, modern designed touchscreen is simple to install with multiple modular mounting options
- Fast to implement and deploy, via quick GUI design using Vision.net designer tools allowing for a “drag and drop” design with a straightforward approach, greatly reducing the time needed for system design and implementation
- Part of a distributive topology, reducing dependency over single point processing solutions
- Simple connection and powering using Ethernet infrastructure, with PoE power, or alternative low power network
- Fully scalable solutions, from simple room-based, to campus-wide applications, allowing for a buildable system expansion
- Easy installation elements with multiple modular mounting options



VISION.NET TOUCHSCREEN

TOUCHSCREEN

Touch	Multi-point touch, PCAP
Resolution	1280x800
Colors	24-bit
Viewing angle	Minimum of 80 degrees from all four sides
Touch surface	7H hardness glass with anti-fingerprint oleophobic coating
Storage and memory	8GB micro SD card, 2GB RAM
Operating system	Android 6.0.1+

POWER

Operating voltage	24VDC or PoE (IEEE802.3at)
--------------------------	----------------------------

CONNECTIONS

PoE (IEEE802.3at)	1 x 1000BASE-T RJ45
Phoenix RS485	1 x 9-way, power for Vision.net local link
USB 2.0	2
USB OTG	1
DIN	1 x 9-pin RS232 (unused)
HDMI	1

ENVIRONMENT

	°C	°F
Ambient temperature		

PHYSICALS

Finish	Black
Mounting	Flush, surface, rack, VESA*, desktop stand (*part number 95631 only)

DIMENSIONS (H X W X L)

	mm	in
10.1" touchscreen	174 x 255 x 41	6.8 x 10.0 x 1.6
VESA	58 x 108 x 60	2.28 x 4.24 x 2.39
Desktop stand portable	97 x 264 x 183	3.8 x 10.4 x 7.2
Rack plate	266 x 483 x 57	10.5 x 19 x 2.2
Flush mount	217 x 296 x 3	8.5 x 11.7 x 3.3
Surface mount	222 x 300 x 99	8.7 x 11.8 x 3.9

WEIGHT

	kg	lb
10.1" touchscreen	0.95	2.1
VESA	0.86	1.9
Desktop stand portable	0.68	1.5
Rack plate	1.27	2.8
Flush mount	2.0	4.5
Surface mount	3.5	7.8

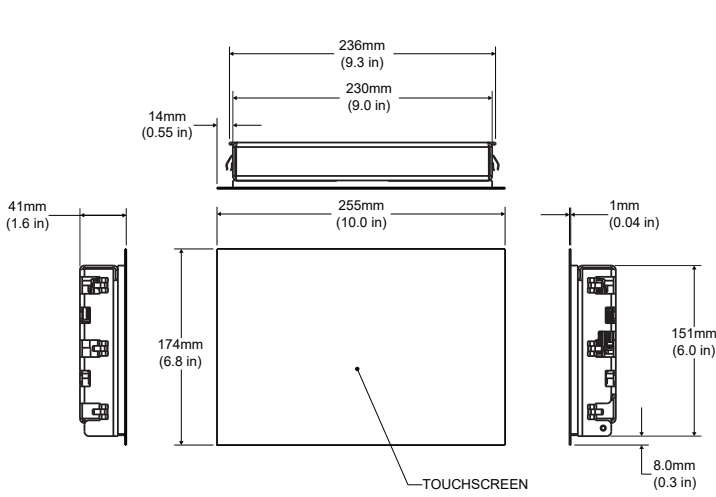
WARRANTY AND APPROBATION

Warranty	2-year limited
Approvals	EN60950, FCC 47CFR PT 15 SPT B, EN55032, CISPR 32 CSA C22.2#60950, IC ICES-003 (Canada)

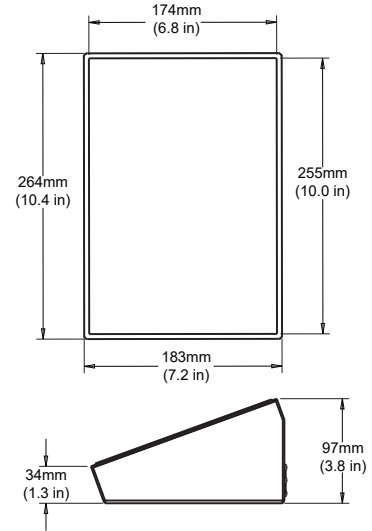


VISION.NET TOUCHSCREEN

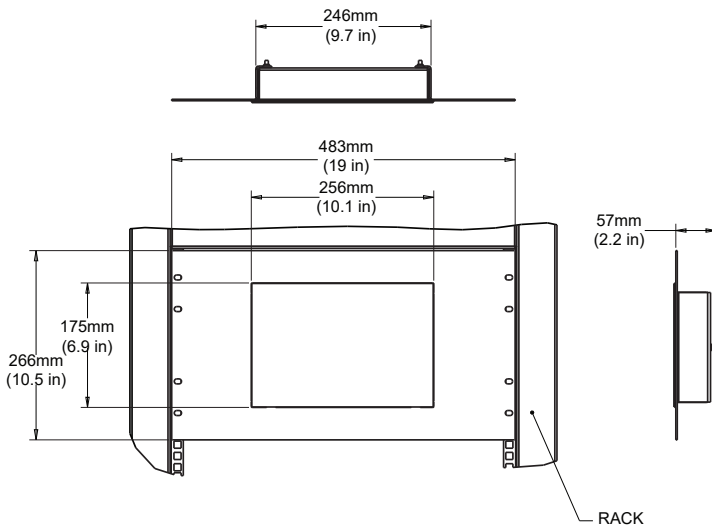
10.1" touchscreen



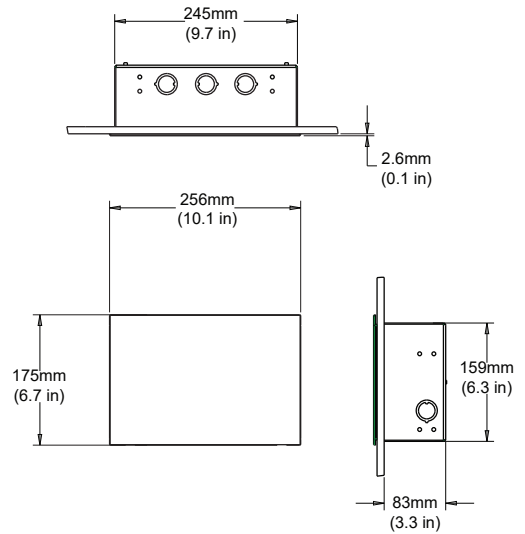
Desktop stand portable



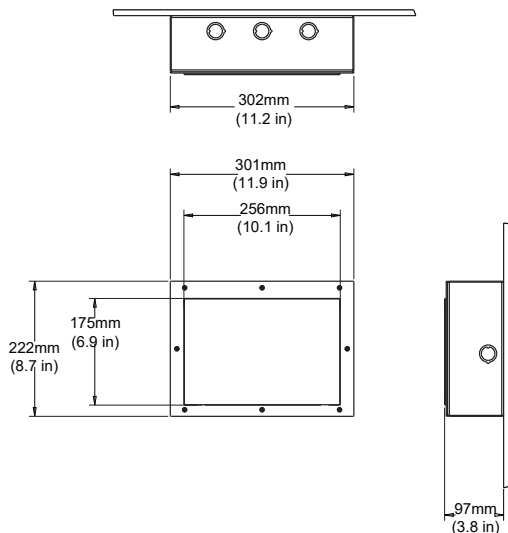
Rack plate



Flush mount



Surface mount





VISION.NET TOUCHSCREEN

PRODUCT NAME	ORDER CODE
10.1 inch Touchscreen assembly, compatible with Desktop Stand, 19" rack plate, flush or surface mount box accessories. For custom applications use with 10.1707.0501.	95610
Desktop stand portable	95622
4U 19" rack plate with mounting bezel	95623
Flush mounting box with mounting bezel	66824
Surface mounting box with mounting bezel	66825
Locking cover	66830
ACCESSORIES	
Mounting bezel (optional for custom applications)	10.1707.0501
Vision.net touchscreen processor electronics box (for use with external monitor)	95631
COMPATIBLE MONITORS	
15" monitor Required 7U rack plate	ELO E331799 10.1707.0113
24" monitor	DELL P2418HT PLANAR PCT2435

©2019 Signify Holding. All rights reserved.

All trademarks are owned by Signify Holding or their respective owners. The information provided herein is subject to change, without notice. Signify does not give any representation or warranty as to the accuracy or completeness of the information included herein and shall not be liable for any action in reliance thereon. The information presented in this document is not intended as any commercial offer and does not form part of any quotation or contract, unless otherwise agreed by Signify. Data subject to change.

Ref: 95610-100-00